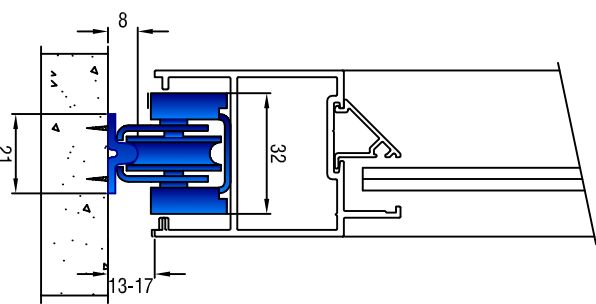
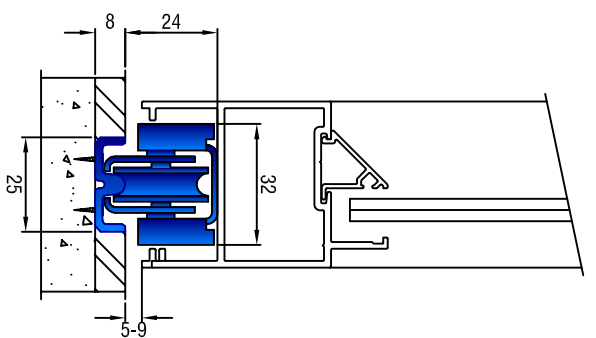
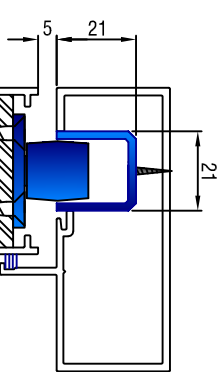


991A BOTTOM ROLLER

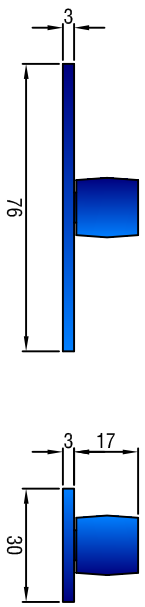
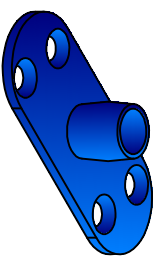
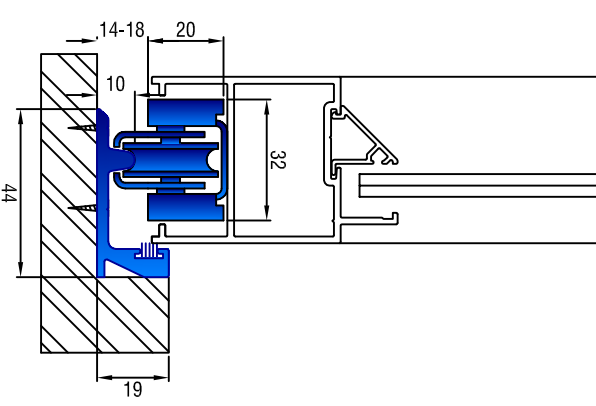
991A ROLLER SET INTO ALUMINIUM DOOR ON 815LB/815A RECESSED TRACK

991A ROLLER SET INTO ALUMINIUM DOOR ON 814LB/A RAISED TRACK

SECTION THROUGH DOOR SHOWING 19A CHANNEL WITH 40/19N OR 42/19N GUIDE AND 812A TRACK 991A BOTTOM ROLLER



SECTION THROUGH DOOR SCALE 1:3



40/19N TOP GUIDE

Adjustable bottom rolling sliding door hardware for aluminium patio and shopfront doors up to 100kg.

- FEATURES:**
- Adjustable, self-aligning rollers
 - Full stainless steel roller option

SPECIFICATIONS:

Max door mass: 100kg
Max door height: 2100mm
Max door width: 1500mm
Door thickness: 44mm

- COMPONENTS:**
- 19A Aluminium or 19LB Brass guide channel
 - 40/19N or 42/19N Top guides
 - 991A Bottom rollers
 - 812A, 814A or 815A Aluminium or 814LB, 815LB Brass bottom track
 - 503NA Flush handle
 - DS2 floor stop
 - 46LA wall stop

Note: All fittings available in stainless steel for coastal applications.