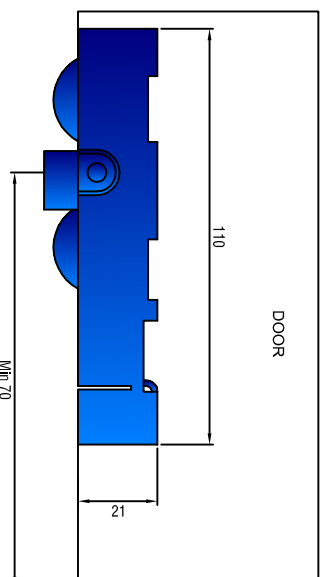
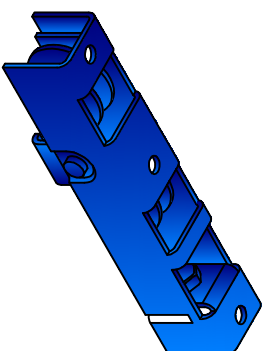
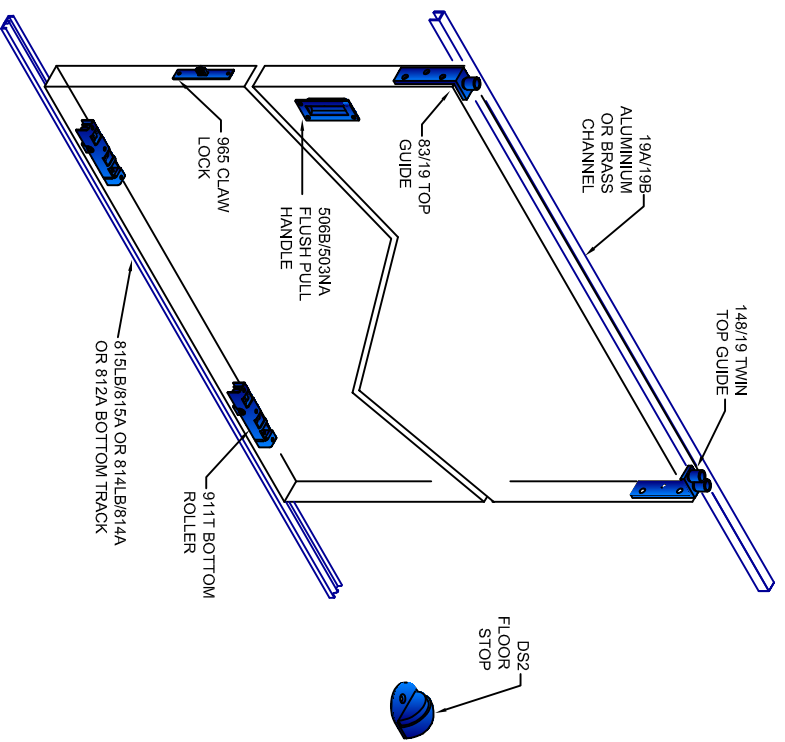
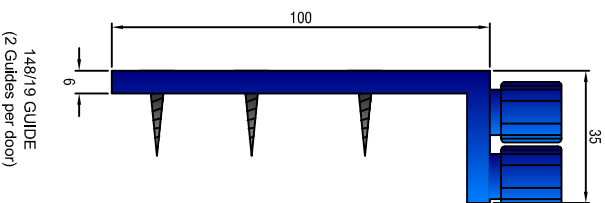
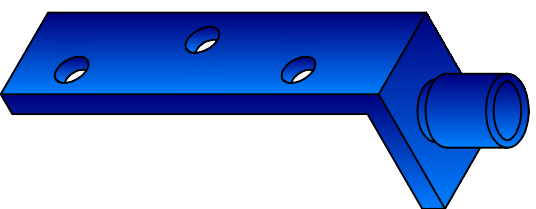
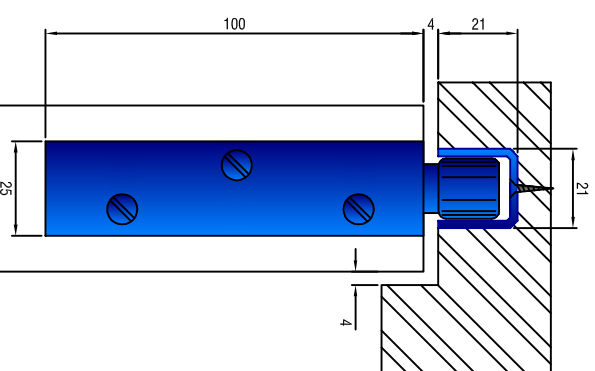


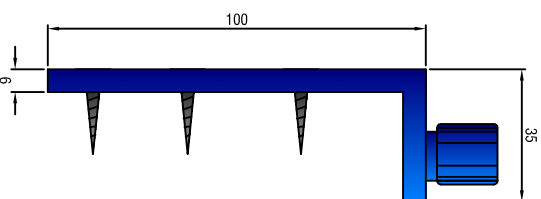
SECTION THROUGH DOOR
SHOWING 19A CHANNEL
WITH 148/19 OR 83/19 GUIDE.



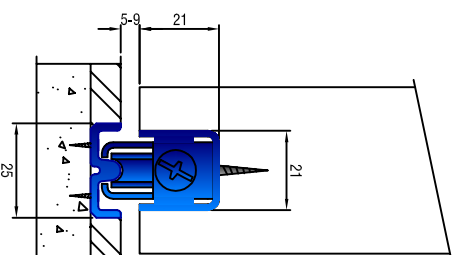
991T ADJUSTABLE
BOTTOM ROLLER
(2 Rollers per door)



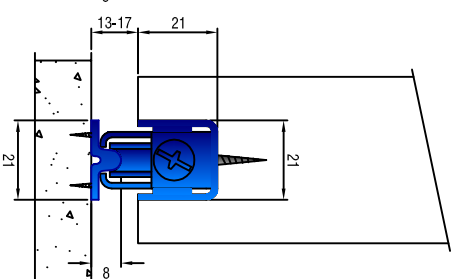
148/19 GUIDE
(2 Guides per door)



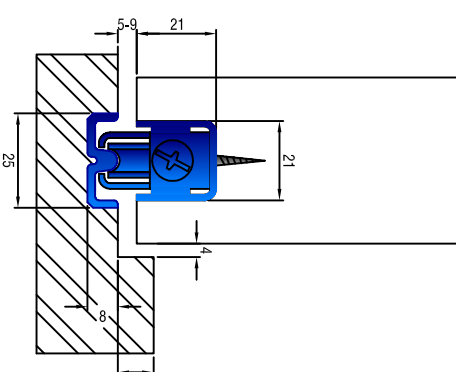
83/19 GUIDE
(2 Guides per door)



991T ROLLER SET INTO
TIMBER DOOR ON 815LB
RECESSED TRACK



991T ROLLER SET INTO
TIMBER DOOR ON 814LB
RAISED TRACK
ALTERNATE CHILL DETAILS
SCALE 1:2



991T ROLLER SET INTO
TIMBER DOOR ON 815A TRACK
IN A REBATED FRAME

Adjustable bottom rolling sliding door hardware for timber patio and shopfront doors up to 100kg.

ROLLAWAY 100T



- FEATURES:**
- Adjustable, self-aligning rollers
 - Full stainless steel roller option

SPECIFICATIONS:

Max door mass: 100kg
Max door height: 2100mm
Max door width: 1500mm
Door thickness: 44mm

COMPONENTS:

19A Aluminium or 19LB Brass guide channel
148/19 or 83/19N Top guides
991T Bottom rollers
812A, 814A or 815A Aluminium or 814LB, 815LB Brass bottom track
503NA or 506B flush handle
965 Mortice claw lock
DS2 floor stop
46LA wall stop

Note: All fittings available in stainless steel for coastal applications.

Hillaldam Coburn Systems (Pty) Ltd.
P O Box 4664, Johannesburg 2000,
South Africa
Tel: (+2711) 626 1001
Fax: (+2711) 626 1341
Email: info@hillaldam.co.za
Web: www.hillaldam.co.za