

## ROLLAWAY 160

Bottom rolling sliding door hardware for external timber doors up to 160kg.

### FEATURES:

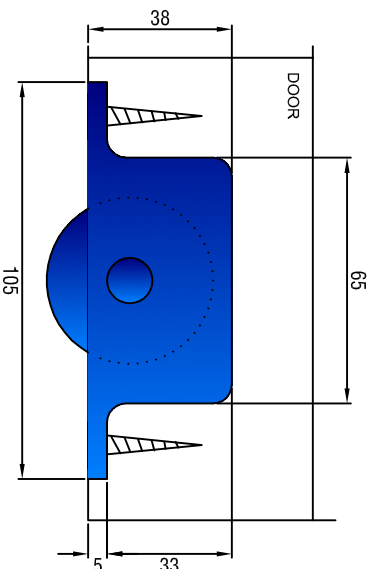
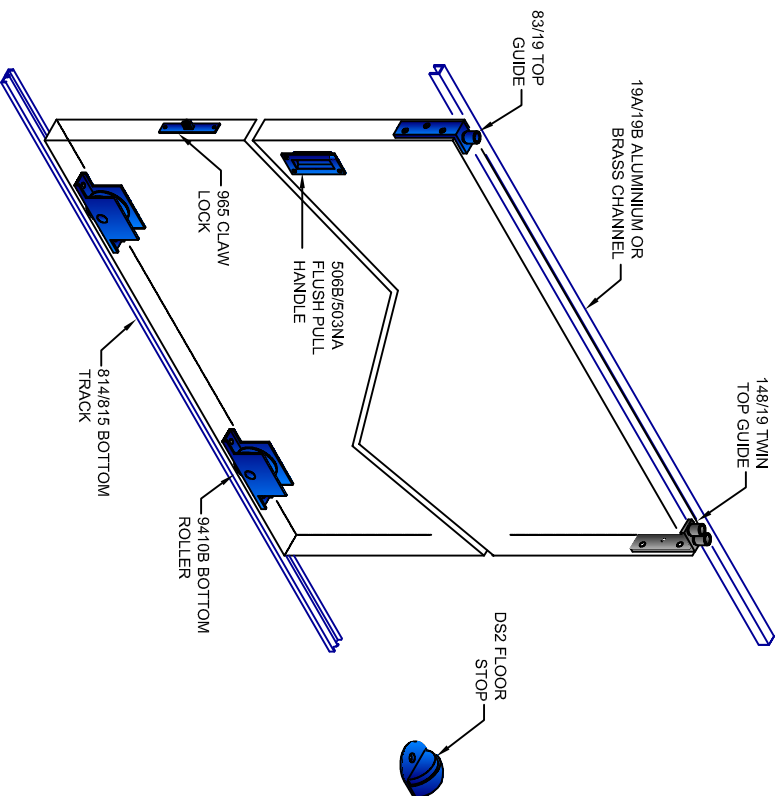
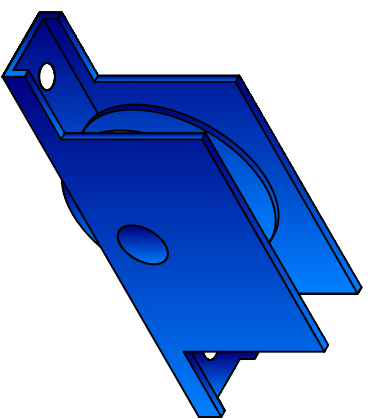
- Quality ball-bearing rollers
- Rattle-proof guide option

### SPECIFICATIONS:

Max door mass: 160kg  
 Max door height: 2400mm  
 Max door width: 1500mm  
 Door thickness: 44mm

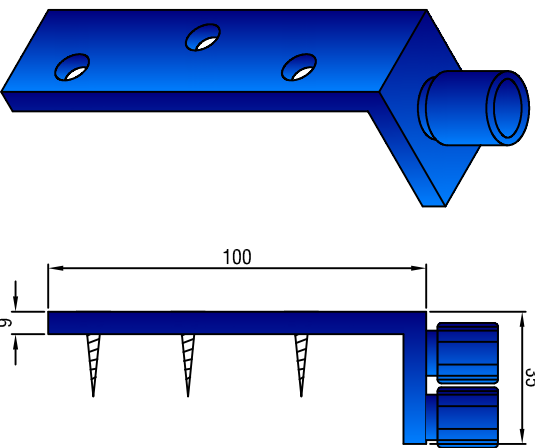
### COMPONENTS:

19A Aluminium or 19LB brass guide channel  
 83/19 Top Guide or 148/19 Top twin guides  
 9410B Bottom rollers  
 812A Aluminium or 814LB or 815LB Brass bottom track  
 506B or 503NA flush Handle  
 965 Mortice claw lock  
 DS2 floor stop

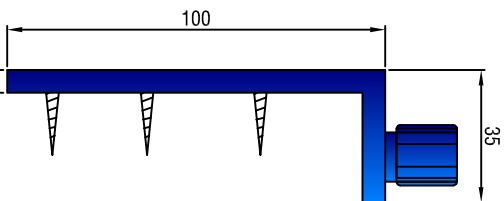


9410B MORTICE FIX ROLLER  
(2 PER DOOR)

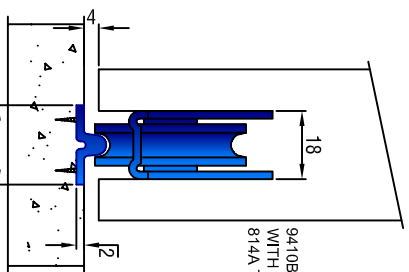
SECTION THROUGH DOOR  
SHOWING 814A TRACK AND  
9410B BOTTOM ROLLER



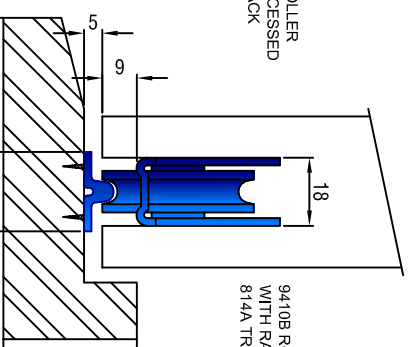
148/19 GUIDE  
(2 Guides per door)



83/19 GUIDE  
(2 Guides per door)

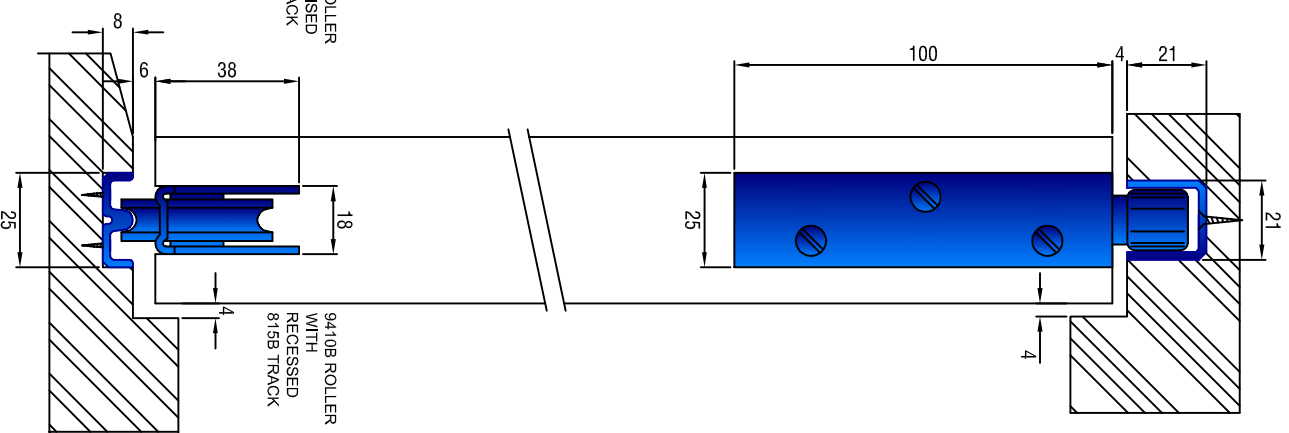


9410B ROLLER  
WITH RECESSED  
814A TRACK



9410B ROLLER  
WITH RAISED  
814A TRACK

ALTERNATE CILL DETAILS  
SCALE 1:2



9410B ROLLER  
WITH  
RECESSED  
815B TRACK

SECTION THROUGH DOOR SHOWING  
19A CHANNEL WITH 148/19 OR  
83/19 GUIDE AND 815 TRACK AND  
9410B BOTTOM ROLLER