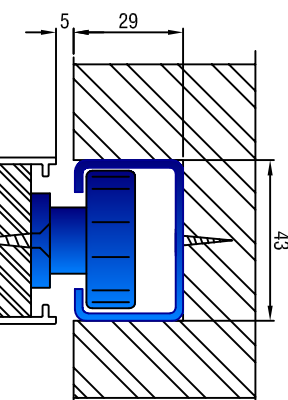
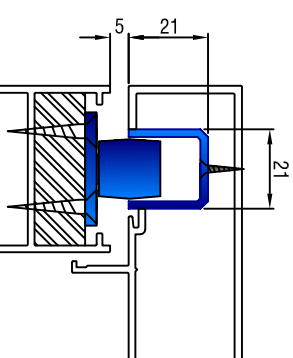


SECTION THROUGH DOOR SHOWING  
802A CHANNEL WITH 805MD  
GUIDE AND 815B BRASS TRACK WITH  
992 BOTTOM ROLLER



SECTION THROUGH DOOR SHOWING  
19A CHANNEL WITH 40/19N OR  
42/19N GUIDE AND 814B TRACK  
992 BOTTOM ROLLER



Adjustable bottom rolling sliding door hardware for aluminium patio and shopfront doors up to 250kg.

**FEATURES:**

- Nylon rollers with double bearings
- Full aluminium body and stainless steel axil.

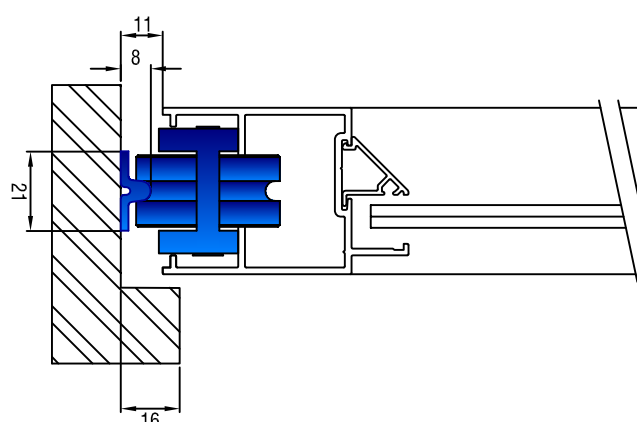
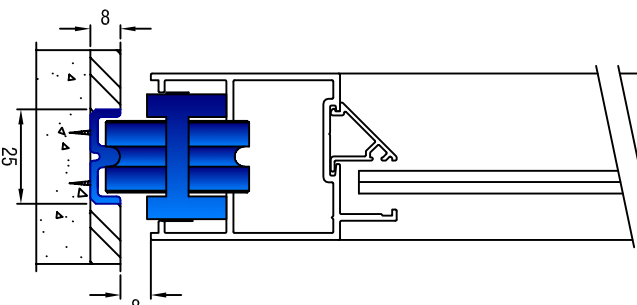
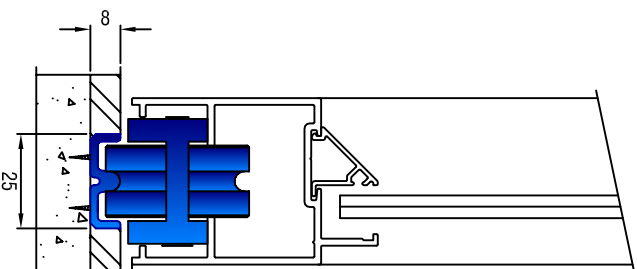
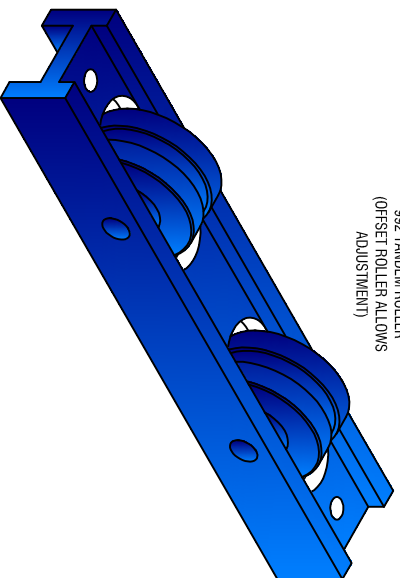
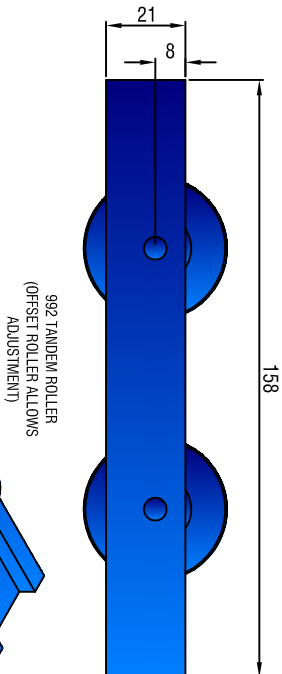
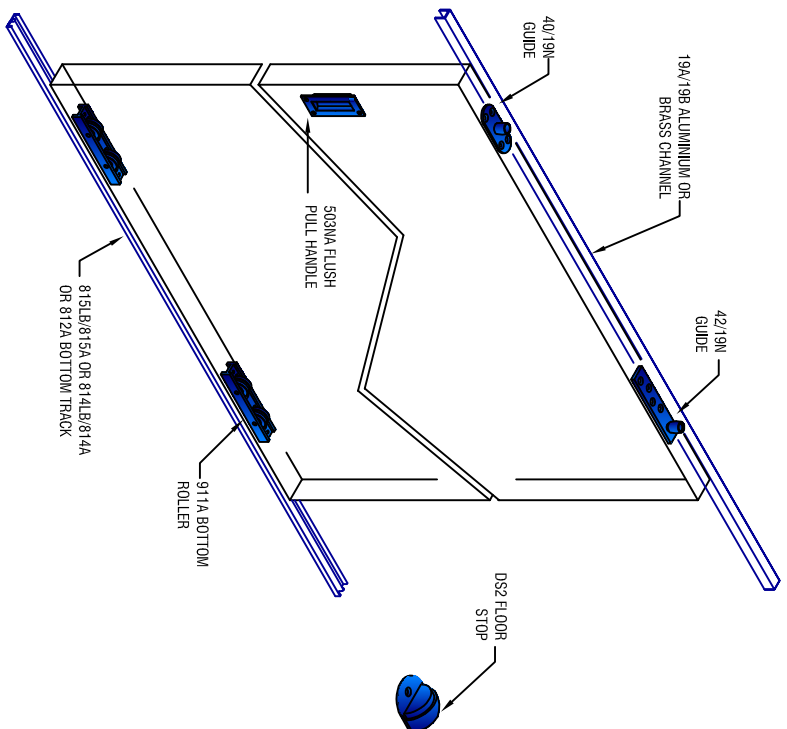
**SPECIFICATIONS:**

Max door mass: 250kg  
Max door height: 3000mm  
Max door width: 2000mm  
Door thickness: 44mm

**COMPONENTS:**

19A Aluminium or 19LB Brass guide channel  
40/19N or 42/19N Top guides or  
802A Aluminium channel  
805/805DR Top guide  
992 Bottom rollers  
814LB, 815LB Brass bottom track  
503NA Flush handle  
DS2 floor stop  
46LA wall stop

Note: All fittings available in stainless steel for coastal applications.



SECTION THROUGH DOOR  
SHOWING 815B AND 814B BRASS TRACK AND ROLLER ADJUSTMENT  
SCALE 1:3