

ROLLAWAY 55

Bottom rolling sliding door hardware for interior doors and cupboards up to 55kg

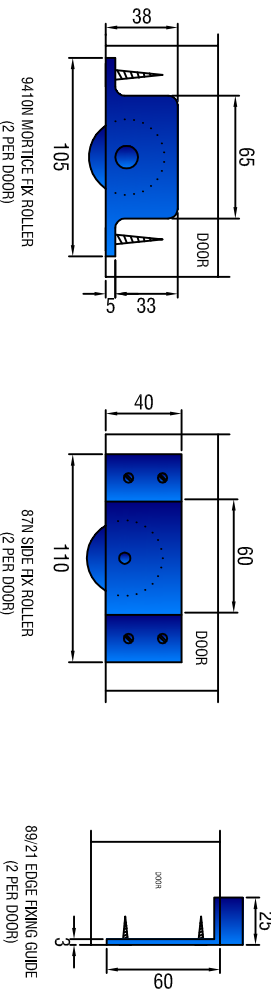
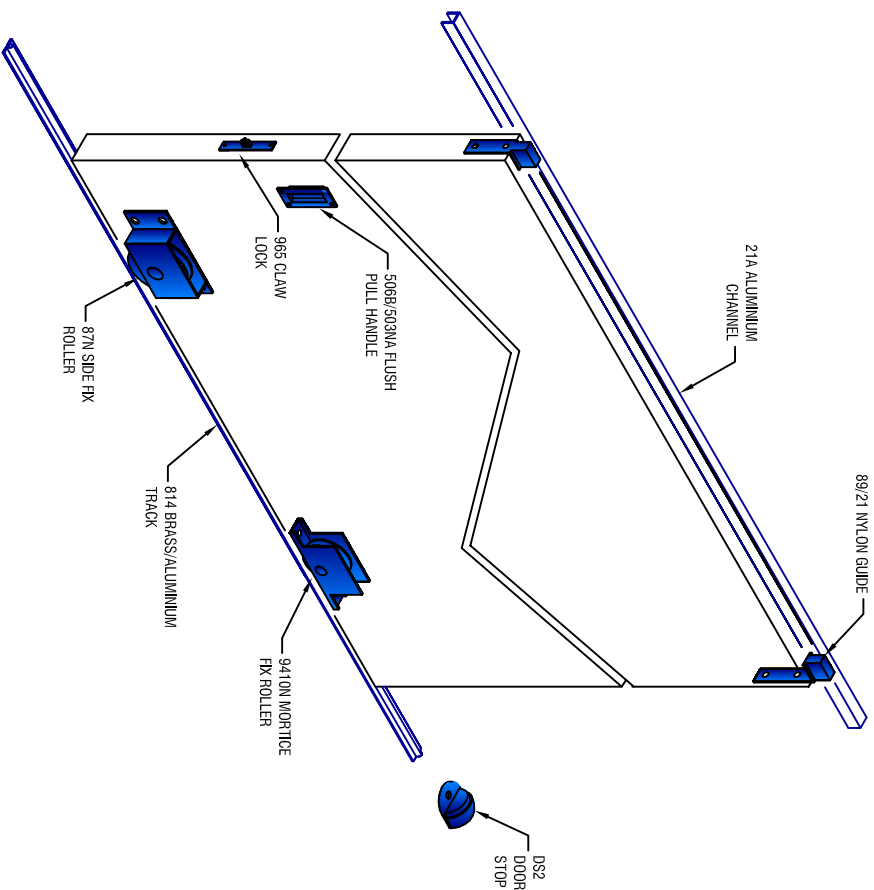
- FEATURES:**
- Lightweight bottom rolling system
 - Edge fixing guides

SPECIFICATIONS:

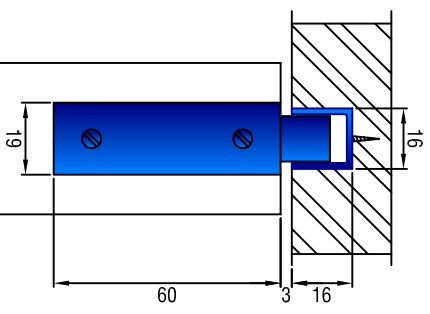
Max door mass: 55kg
 Max door height: 2100mm
 Max door width: 1000mm
 Door thickness: 40-44mm

COMPONENTS:

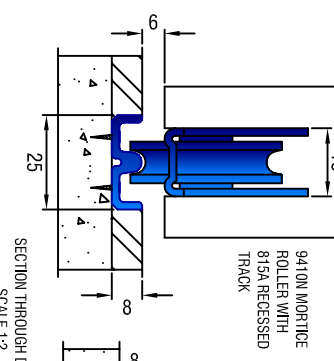
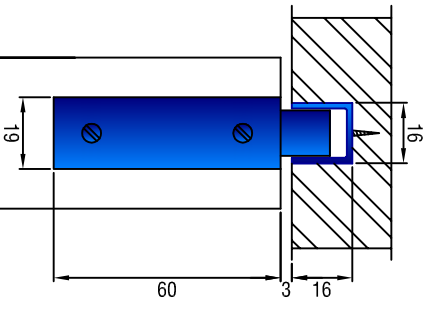
- 21A Aluminium guide channel
- 89/21 Nylon top guides
- 87N Side fixing roller or 9410N Mortise fixing roller or 814A or 815A Aluminium or 814LB Brass track
- 503NA or 506BA flush pull handle
- DS2 Door stop
- 965 Mortise claw lock



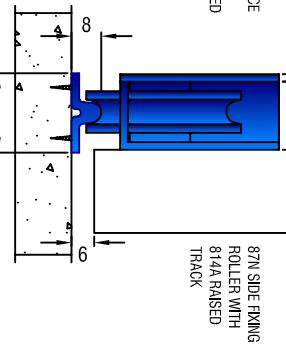
SECTION THROUGH DOOR SHOWING 89/21 NYLON GUIDE, 21A ALUMINIUM CHANNEL, 9410N MORTISE ROLLER AND 814 TRACK



SECTION THROUGH DOOR SHOWING 89/21 NYLON GUIDE, 21A ALUMINIUM CHANNEL, 87N SIDE FIX ROLLER AND 814 TRACK



SECTION THROUGH DOORS SCALE 1:2



Hillaldam Coburn Systems (Pty) Ltd.
 P O Box 4664, Johannesburg 2000,
 South Africa
 Tel: (+2711) 626 1001
 Fax: (+2711) 626 1341
 Email: info@hillaldam.co.za
 Web: www.hillaldam.co.za