

STRAIGHTAWAY 100S

Top hung sliding hardware for steel framed doors or gates up to 100kg.

FEATURES:

- Quality ball-bearing hangers
- Proven reliable system

SPECIFICATIONS:

Max door mass: 100kg
 Max door height: 2500mm
 Max door width: 1000mm
 Door thickness: min 30mm angle frame or 25mm tube

COMPONENTS

- A100S Side fixing brackets - 300mm centres
- 100S/100G Steel or galvanised top track
- 0100 Adjustable hangers for steel doors
- 100TF Hangers for timber doors
- 101 track stop
- 48/19B Guides for steel doors
- 40/19B/N Guide for timber doors
- 19A/19S Steel guide channel
- 46L Door stop (not included in DIY set)

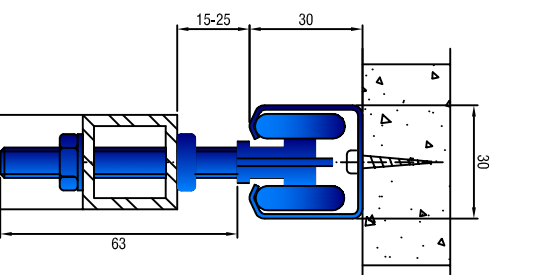
Domestic 100S special DIY pack for max 1000mmwide door, includes brackets, steel track, hangers, guides and guide channel.

NOTE:

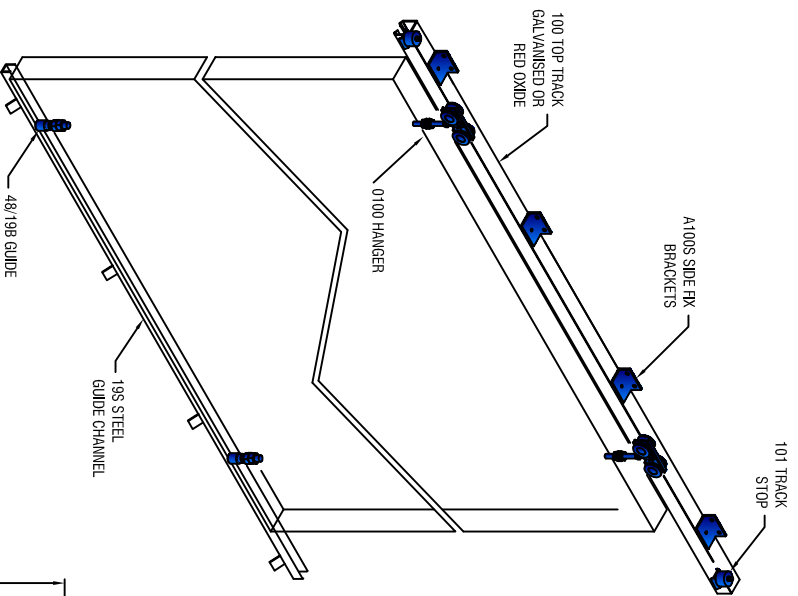
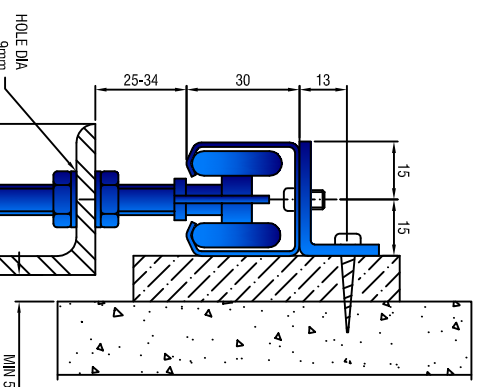
All fittings available in stainless steel for coastal applications.

Hillaldam Coburn Systems (Pty) Ltd.
 P O Box 4664, Johannesburg 2000,
 South Africa
 Tel: (+2711) 626 1001
 Fax: (+2711) 626 1341
 Email: info@hillaldam.co.za
 Web: www.hillaldam.co.za

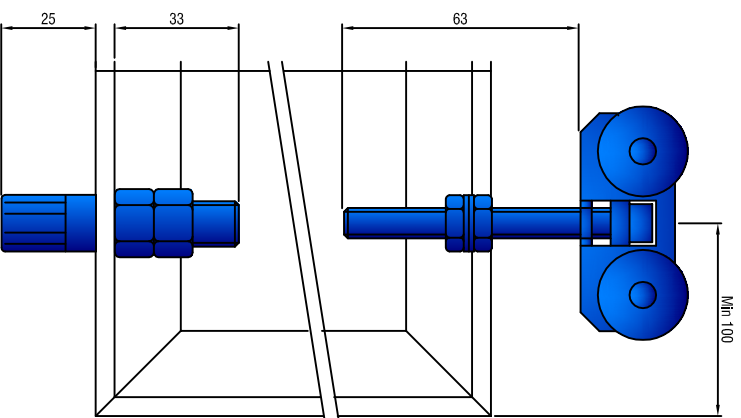
SOFFIT FIXED 100S TRACK WITH 0100 HANGER



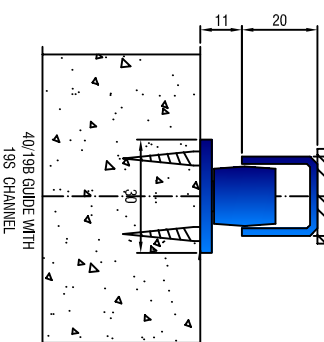
A100S SIDE FIX BRACKET WITH 100S TRACK AND 0100 HANGER



46L WALL MOUNTED DOOR STOP

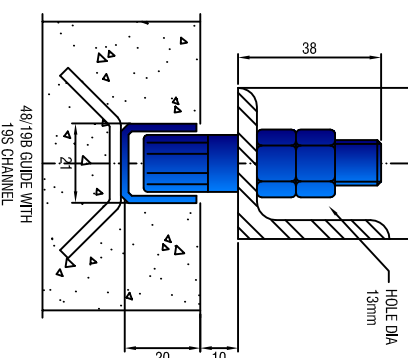


STEEL DOOR ELEVATION SHOWING HANGER AND GUIDE POSITIONS USE 2 HANGER AND 2 GUIDES PER DOOR

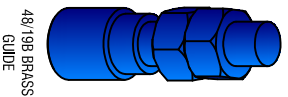


40/19B GUIDE WITH 19S CHANNEL

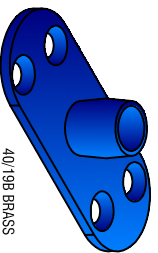
SECTION THROUGH DOOR SECTION SCALE: 1:2



48/19B GUIDE WITH 19S CHANNEL



48/19B BRASS GUIDE



40/19B BRASS GUIDE