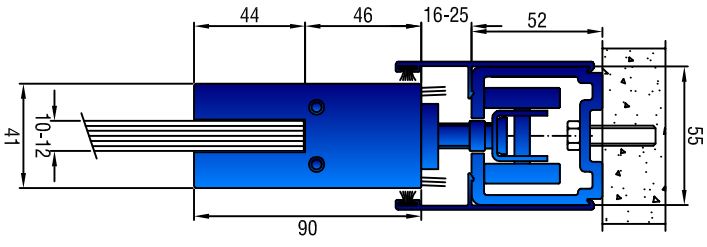
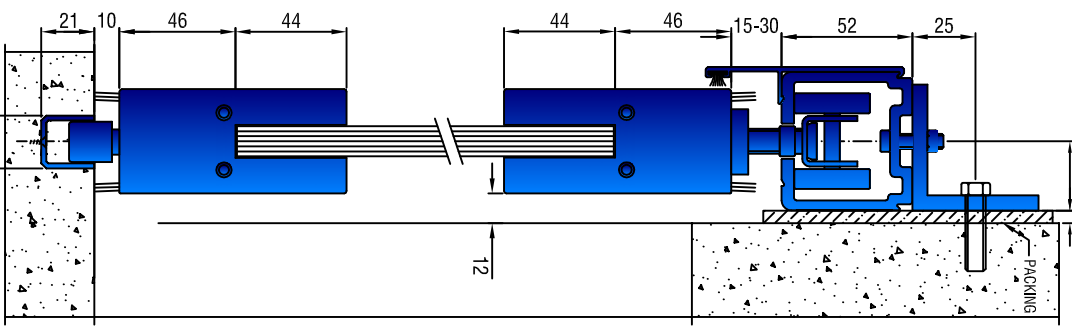


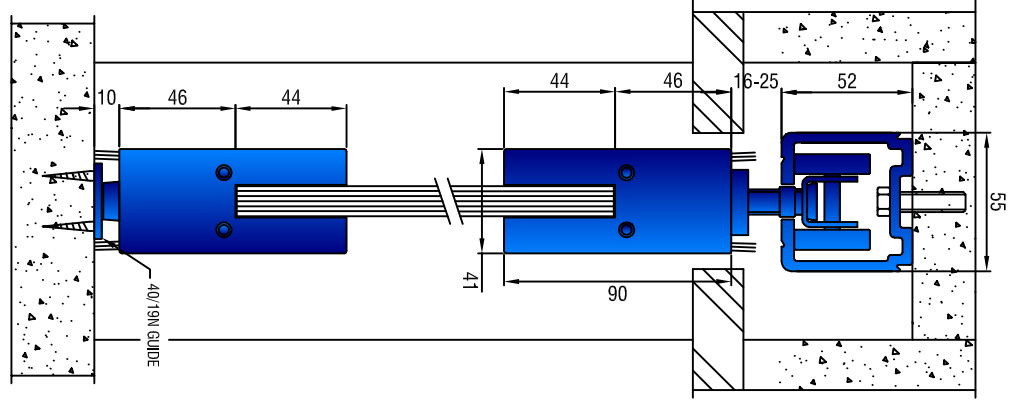
SOFFIT FIX 400TA WITH DOUBLE 400PA PELMET AND 400GL HANGER



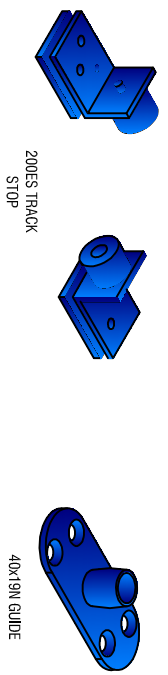
SIDE FIX 400TA TRACK WITH A400 BRACKET, 400PA PELMET AND 400GL HANGER



SOFFIT FIX 400TA TRACK AND 400GL HANGER FIXED IN A BRICK CAVITY



SECTION THROUGH DOORS SHOWING ALTERNATE BOTTOM DETAIL WITH AND WITHOUT CHANNEL IN THE FLOOR. SECTION SCALE: 1:3



Hillaldam
SLIDING DOOR SYSTEMS

STRAIGHTAWAY
400A/GL

Top hung sliding hardware for frameless glass doors with top rail.

FEATURES:

- Strong aluminium track
- Quality proven hardware
- Slimline rail with glass bolt-through
- Clip-on cover plate
- Ideal for residences, offices, hospitals, hotels

SPECIFICATIONS:

Max door mass: 400kg
 Max door height: 3000mm
 Max door width: 1500mm
 Glass: 10-12mm toughened (15mm option available)

COMPONENTS

- A400A Side fixing brackets - max 400mm centres
- 400TA Aluminium top track
- 400PA Aluminium clip-on peltet/rebate
- GL Aluminium top rail
- 400GL Hangers
- 122 Brush welt
- BG15 Bottom guides or 40/19N Guide
- 400ES track stop
- GL2 Cover plates
- GL2 End caps

NOTE:

All fittings available in stainless steel for coastal applications.

Hillaldam Coburn Systems (Pty) Ltd.
 P O Box 4664, Johannesburg 2000,
 South Africa
 Tel: (+2711) 626 1001
 Fax: (+2711) 626 1341
 Email: info@hillaldam.co.za
 Web: www.hillaldam.co.za