

HYDRAULIC PATCH FITTING

Bottom pivoting frameless glass door hardware for 10-12mm thick 156 glass doors up to 150kg

FEATURES:

- BOTTOM PATCH AND FLOOR SPRING COMBINED
- UNIQUE BASE DESIGN WITH ADJUSTMENT
- OPENING ANGLE OF 140mm FOR DOUBLE ACTION.
- HOLD OPEN AT 90deg (OPTIONAL)
- TWO ADJUSTABLE CLOSING SPEEDS.
- STAINLESS STEEL FITTINGS
- MATCHING TOP CENTRE PATCH
- EASY INSTALLATION AND LABOUR SAVING

SPECIFICATIONS:

- D1-080S (SATIN)
 Max leaf mass: <80kg
 Max leaf height: 2700mm
 Max leaf width: 1000mm
 Glass thickness: 10-15mm
- D1-150S (SATIN)
 Max leaf mass: <150kg
 Max leaf height: 3000mm
 Max leaf width: 1000mm
 Glass thickness: 10-15mm

COMPONENTS:

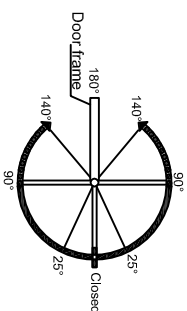
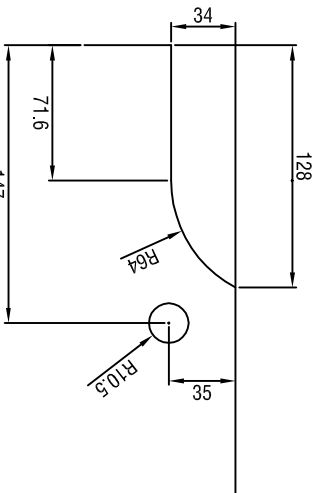
- D1-080S - <80kg Hydraulic patch fitting
 D1-150S - <150kg Hydraulic patch fitting
 T1 - Top fitting
 T2 - Corner transon fitting

Hillaldam Coburn Systems (Pty) Ltd.
 P O Box 4664, Johannesburg 2000,
 South Africa

Tel: (+2711) 626 1001
 Fax: (+2711) 626 1341
 Email: info@hillaldam.co.za
 Web: www.hillaldam.co.za



T1 TOP CENTRE WITH OUT OUT DETAIL



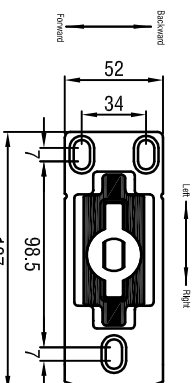
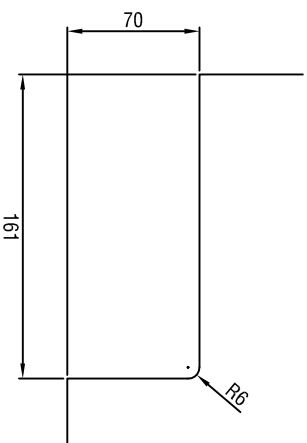
- Back-to-close position section
- Hold-open section

FEATURES

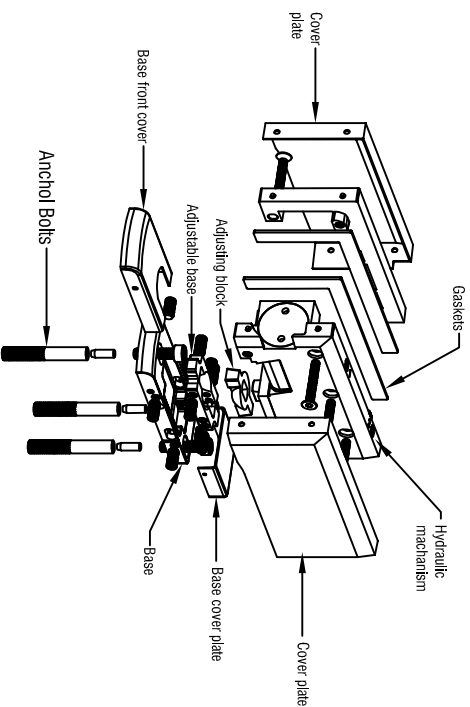
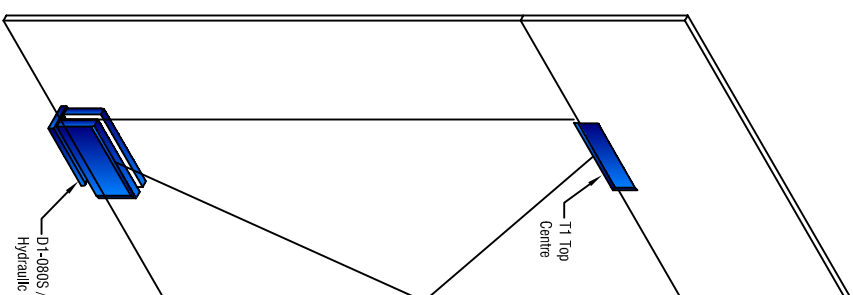
1. Fast closing (section 1): 90°-25°
 2. Soft closing (Section 2): 25°-close
 3. Hold-open: 140°-90°
 4. Adjustable closing speed
- 100,1 valve: 90°-25°
 100,1 valve: 25°-close



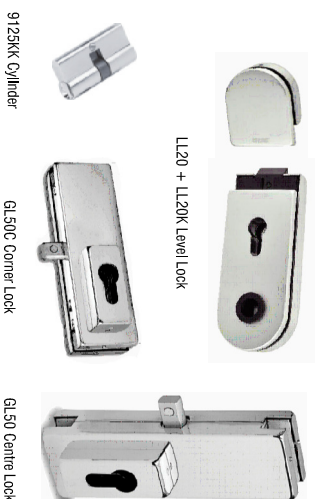
D1-080S / D1-150S HYDRAULIC PATCH FITTING WITH BASE DESIGN WITH OUT OUT DETAIL



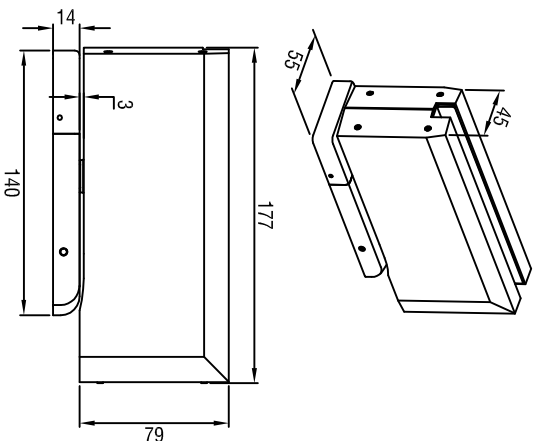
+/-5mm backward and forward adjustment
 +/-7mm left and right adjustment
 +/-4° tilting adjustment



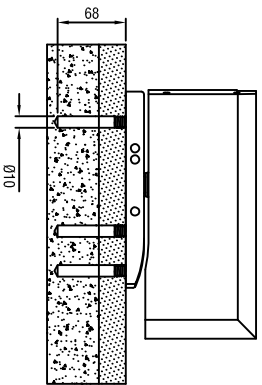
COMPLEMENTARY LOCK PATCH FITTINGS



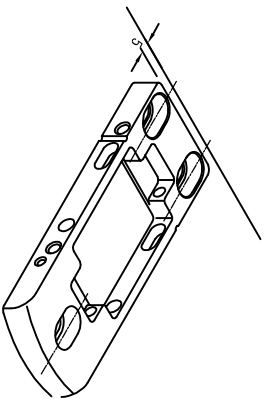
Item No.	Max Door Width (mm)	Max. Load
D1-080	1000	80
D1-150	1300	150



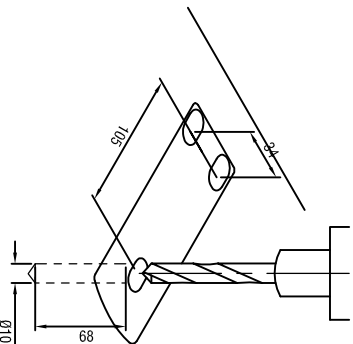
HYDRAULIC PATCH FITTING INSTALLATION INSTRUCTIONS



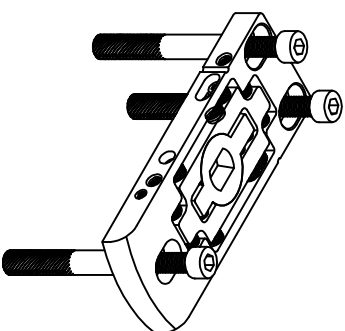
1. Use hexagon anchor bolt provided for brick and cement floors. Use self-tapping screws for wooden floors



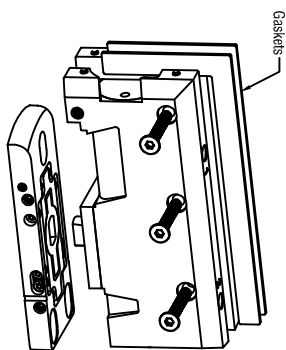
2. Place base 5mm from edge of wall or door frame and mark the three mounting points on the floor.



3. Drill 3 x 10mm diameter holes with a depth of 68mm at the previously marked mounting positions

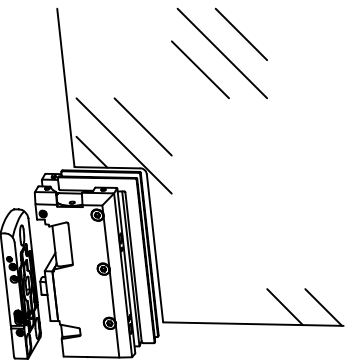


4. Place the inner pin in the bolt socket and then place the bolt sockets in the mounting holes. The bolt sockets should not protrude higher than the ground.

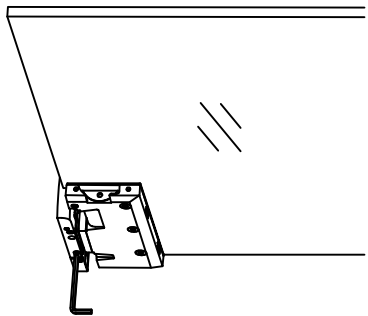


5. To fix the hydraulic closer, loosen the 4 hexagon socket countersunk screws and choose suitable gaskets as per the glass thickness.

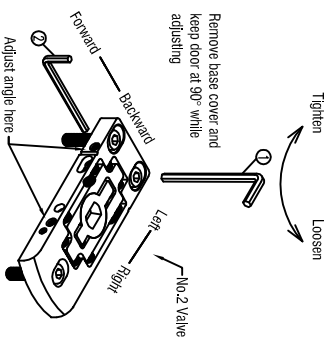
Glass door thickness	Gasket quantity and thickness	
	1mm	2mm
10mm	2	2
12mm	0	2
14mm	2	0
15mm	2	0



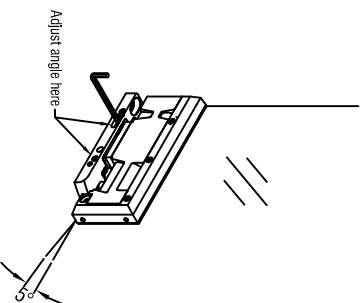
6. Fit the glass door in the floor spring, lay gaskets on both sides of the glass and use allen keys to tighten the 4 hexagon socket countersunk screws to secure the glass door.



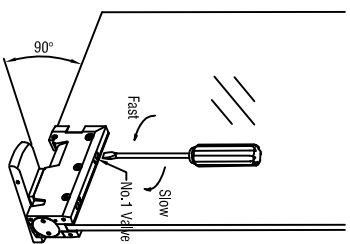
7. Use allen keys to tighten the set screws on both sides of the base making sure the correct amount of adjustment is applied.



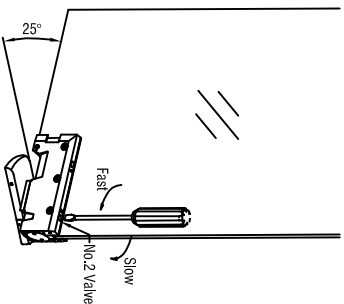
8. As picture shows, use allen key 1 to adjust the base left and right by loosening the 3 hexagon socket head cap screws, use allen key 2 to adjust the base backward and forward by adjusting the set screws on base sides



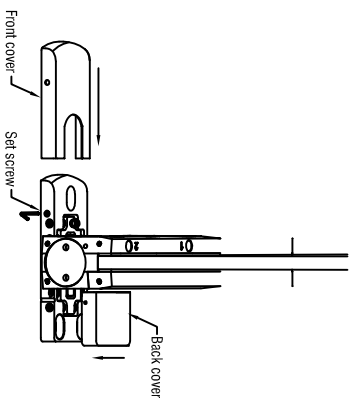
9. Adjust the angle of the glass door by adjusting the set screws on the moveable block at the points shown above



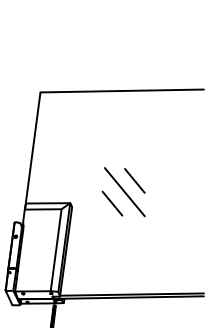
10. To adjust door closing speed from 90°-25°, loosen no.1 valve counter-clockwise to increase closing speed. Tighten no.1 valve clockwise to decrease speed. Do not adjust the valve trim higher than the surface.



11. Door closing speed adjustment from 25°-0°, loosen no.2 valve counter-clockwise to increase speed. Tighten no.2 valve clockwise to decrease speed. Do not adjust the valve trim higher than the surface.



12. To mount base covers, open the door at 90° and mount the base back cover vertically and the front base cover horizontally at the front. Align the side holes of the base front cover with the screw holes on the base side. Screw out the set screws by allen key to fix the base cover.



13. Check the set screws on both sides not higher than the body surface, mount the floor spring body cover plates on both sides and screw out the set screws with the allen key provided to fix the cover plate.