

CURTAINSLIDE

Strong, versatile sliding support system for trailer curtains, industrial tarpaulins and theater curtains.

FEATURES:

- High load steel track
- Steel brackets for wall fixing or welding
- Solid buffers between hangers
- Ball bearing hangers

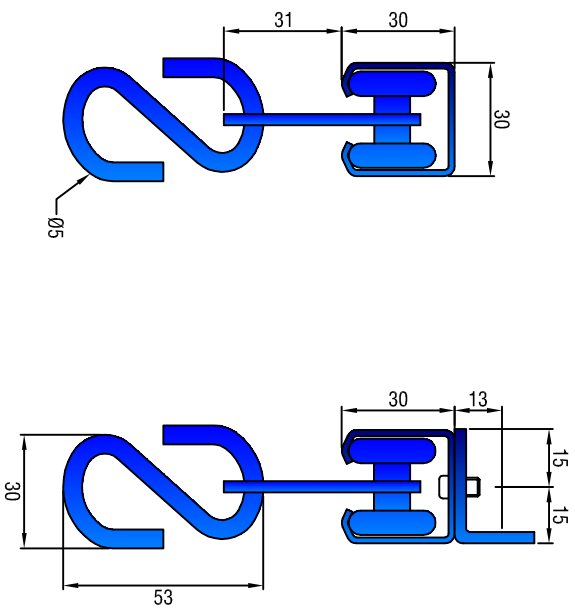
SPECIFICATIONS:

Up to 25-50kg loading per hanger
Recommended maximum spacing of 450mm

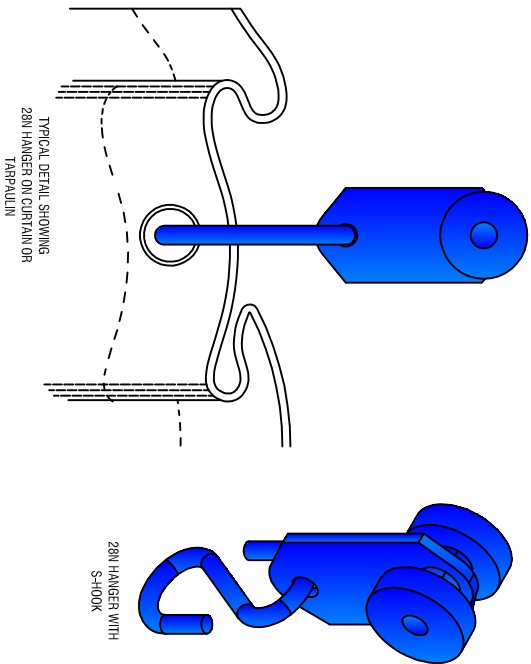
COMPONENTS:

- A200S Side fixing or R200 top fixing bracket - max 900mm centres
- 200RO Steel or 200G galvanised top track
- 128S Hanger with curtain plate
- 129S Hanger
- 100S Steel track
- A100S Side fix Bracket
- 28N Hanger with S-hook

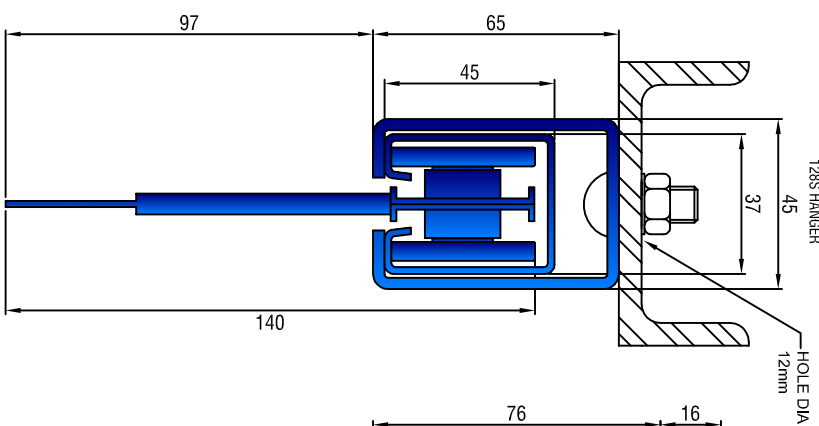
R200S SOFFIT FIX BRACKET WITH 200G OR 200RO TRACK AND 128S HANGER



A100S SIDE FIX BRACKET WITH 100S TRACK AND 28N HANGER



R200S SIDE FIX BRACKET WITH 200G OR 200RO TRACK AND 128S HANGER



A200S SIDE FIX BRACKET WITH 200G OR 200RO TRACK AND 129S HANGER

