

STABLESLIDE

Space saving sliding system for horse stables for doors up to 4000kg.

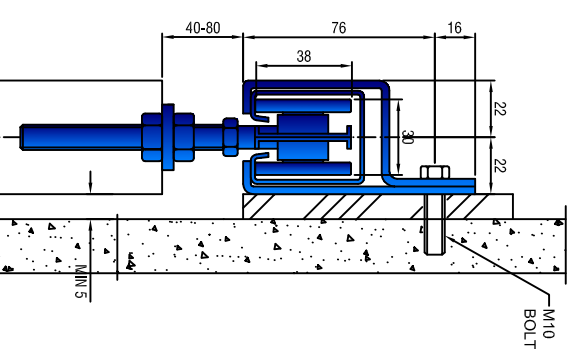
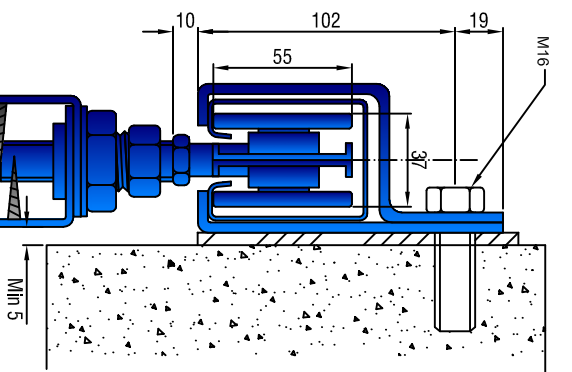
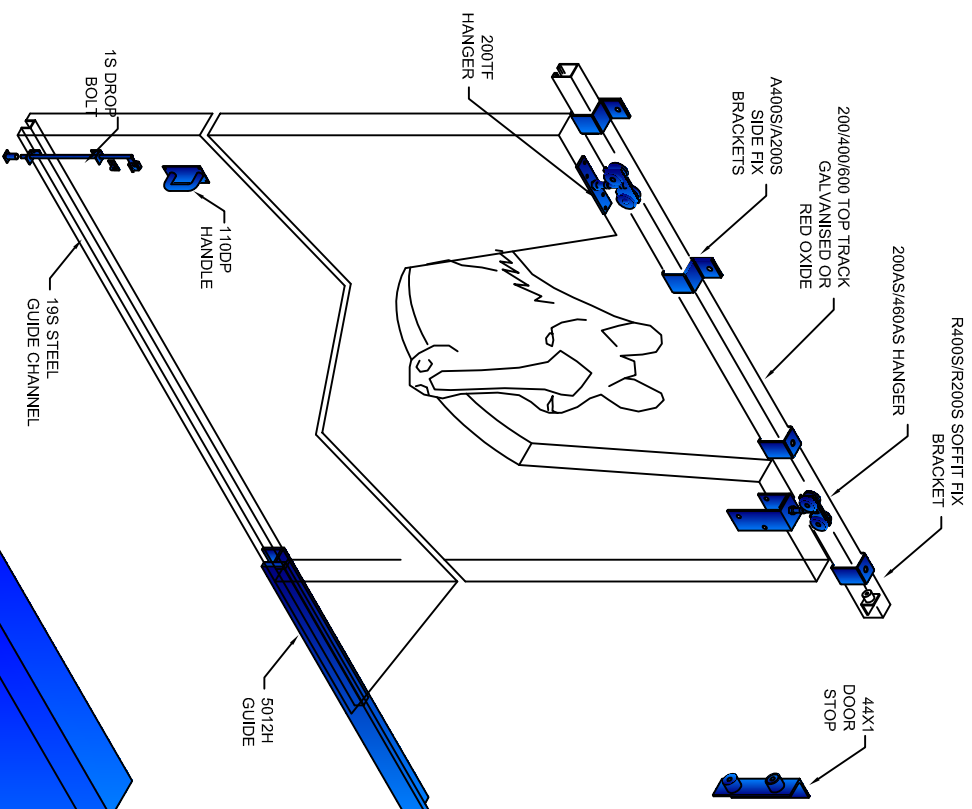
- FEATURES:**
- Proven system hardware
 - Quality ball-bearing hangers
 - Strong, maintenance-free sliding gear
 - Extra secure track and guide rail for lateral strength
 - No sharp or dangerous edges

COMPONENTS:

- Up to 200kg
- A200S Side fixing or R200 Top fixing brackets - max 900mm centres
- 200RO Steel or 200G galvanised top track
- 200TF Top fixing or 200AS hangers
- 5012H Wall fix guide rail
- 19S steel guide channel
- 44X1 door stop
- 110DP handle
- Up to 400kg
- A460 Side fixing or R460 Top fixing brackets - max 900mm centres
- 400RO Steel or 400G/600G Galvanised top track
- 460AS Adjustable apron hangers
- 5016 Guide rail
- 25S Steel guide channel
- 44X1 Door stop
- 110DP handle
- 1S Drop bolt

A400S SIDE FIX BRACKET WITH 400/600 TRACK AND 460AS ADJUSTABLE HANGER

A200S SIDE FIX BRACKET WITH 200G OR 200RO TRACK AND 200S/AS ADJUSTABLE HANGER

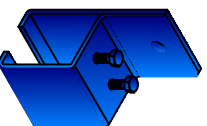


TRACK BRACKETS

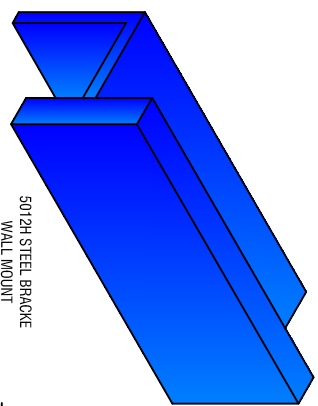
A200S / A400S SIDE FIX BRACKET



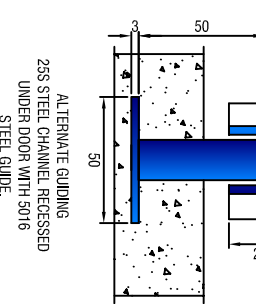
A200UJ / A400UJ SIDE FIX LOCK JOINT BRACKET



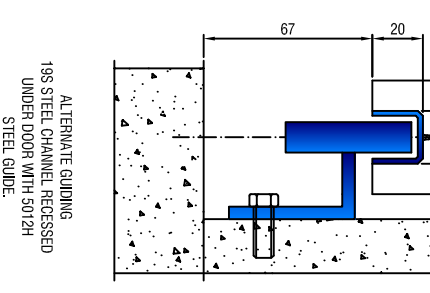
200EG / 400EG END CLIP



5012H STEEL BRACKET WALL MOUNT



ALTERNATE GUIDING 25S STEEL CHANNEL RECESSED UNDER DOOR WITH 5016 STEEL GUIDE.



ALTERNATE GUIDING 19S STEEL CHANNEL RECESSED UNDER DOOR WITH 5012H STEEL GUIDE.

Hillaldam Coburn Systems (Pty) Ltd,
P O Box 4664, Johannesburg 2000,
South Africa
Tel: (+2711) 626 1001
Fax: (+2711) 626 1341
Email: info@hillaldam.co.za
Web: www.hillaldam.co.za