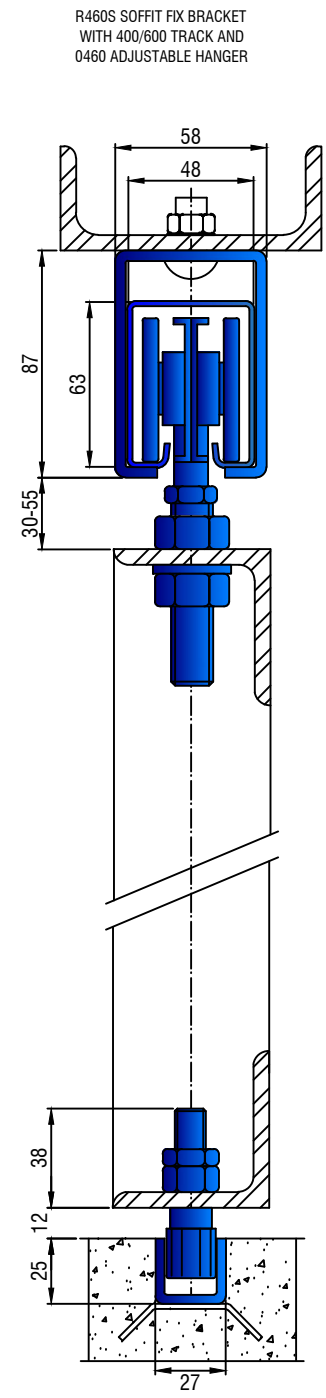
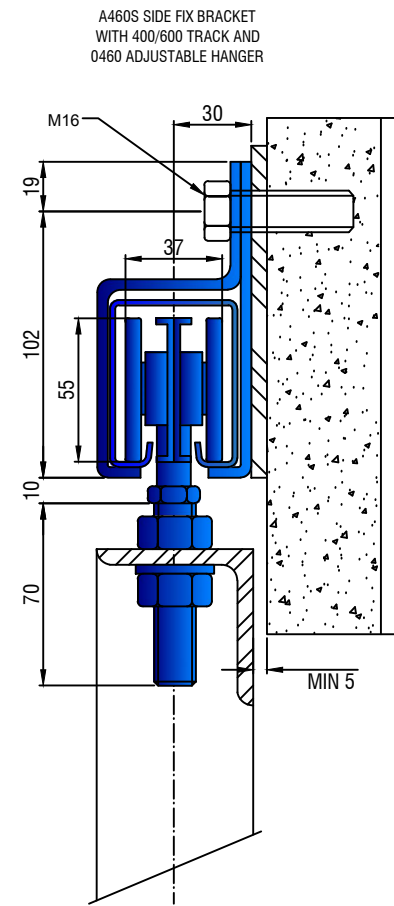


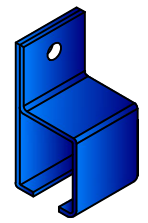
STEEL DOOR ELEVATION
SHOWING 0460 HANGER POSITION.
USE 2 HANGERS PER DOOR



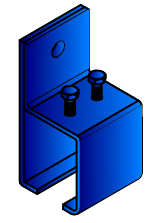
48/25B BRASS GUIDE WITH
25S CHANNEL
SECTION THROUGH DOORS
SECTION SCALE: 1:3

TRACK BRACKETS

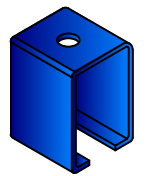
A460S SIDE FIX BRACKET



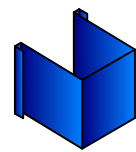
A460LJ SIDE FIX LOCK JOINT BRACKET



R460S SOFFIT FIX BRACKET



460EC END CLIP



48/25B GUIDE



0460 HANGER

STRAIGHTAWAY 400/600S

Top hung sliding hardware for steel framed doors up to 400/600kg.

FEATURES:

- Quality ball-bearing hangers
- Primed or galvanised track

SPECIFICATIONS:

Max door mass: 600kg
 Max door height: 3500mm
 Max door width: 3000mm
 Door thickness: 50-65mm
 FOR EXPOSED DOORS,
 CONSIDER WIND PRESSURE.
 Max door surface area: 8 sq.m.

COMPONENTS

- A460 Side fixing or R460 Top fixing brackets - max 900mm centres
- 0460RO Steel or 0460G Galvanised top track
- 0460 Adjustable hangers
- 48/25B Guides
- 25S Steel guide channel
- 44X1 Door stop
- 1S Drop bolt
- 91 Bow handle

Hillaldam Coburn Systems (Pty) Ltd.
 P O Box 4664, Johannesburg 2000,
 South Africa
 Tel: (+2711) 626 1001
 Fax: (+2711) 626 1341
 Email: info@hillaldam.co.za
 Web: www.hillaldam.co.za