

STACKAWAY 500

Top hung sliding and stacking hardware for aluminium and timber doors up to 500kg.

FEATURES:

- No floor channel required
- Aluminium top track
- Non-corrosive hardware
- Clip-on rebate
- Flexible layout designs

SPECIFICATIONS:

Max leaf mass: 500kg
Max leaf height: 4500mm
Max leaf width: 1500mm
Leaf thickness: 44-60mm

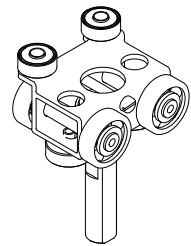
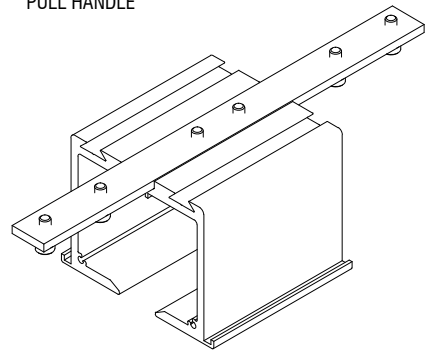
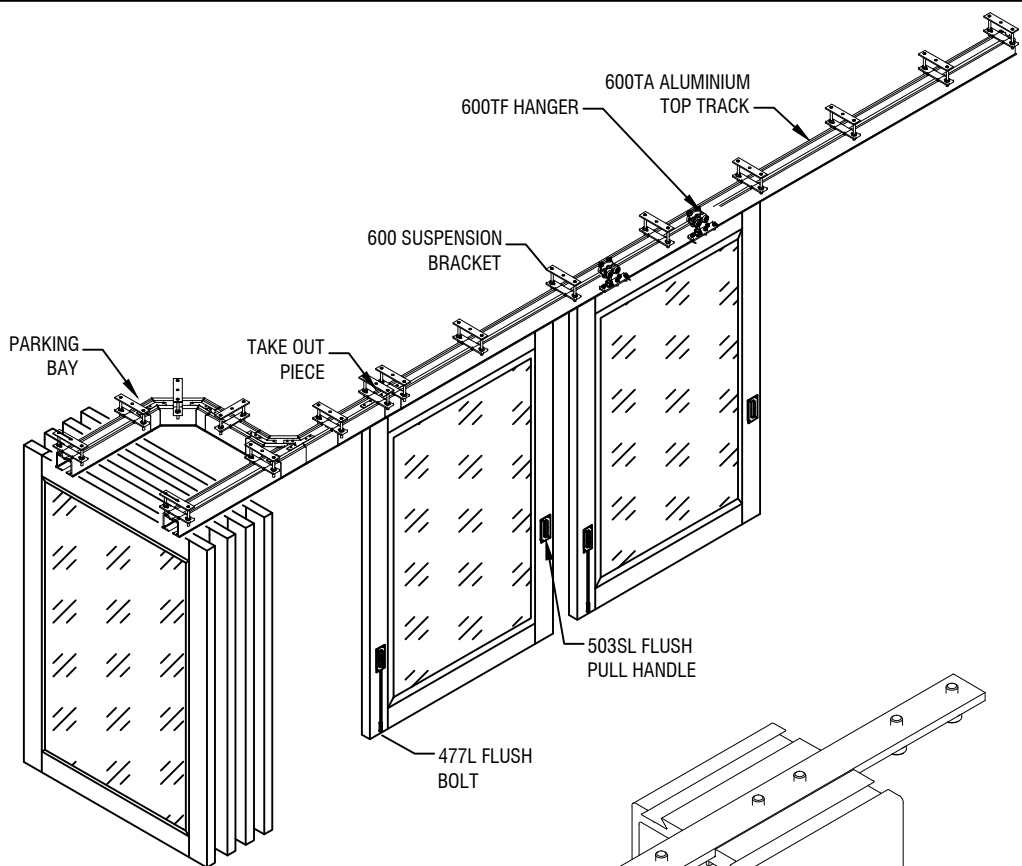
NOTE:

Specifications in excess of these guideline limits are possible. Please contact Hillaldam for further assistance and technical advice.

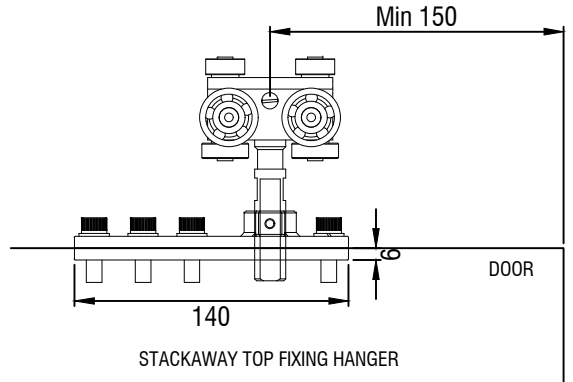
COMPONENTS:

- STA500 Aluminium top track
- STA500 Hanger
- STA500 Stacking rig - to suit layout
- 503/SL (All Standard Colours)
- 477L Flush bolt
- 9139 Dust Socket (aluminium doors)
- 122 Brush welt
- 600A Pivot set for pivot leaf

Note: All fittings available in stainless steel for all coastal applications.

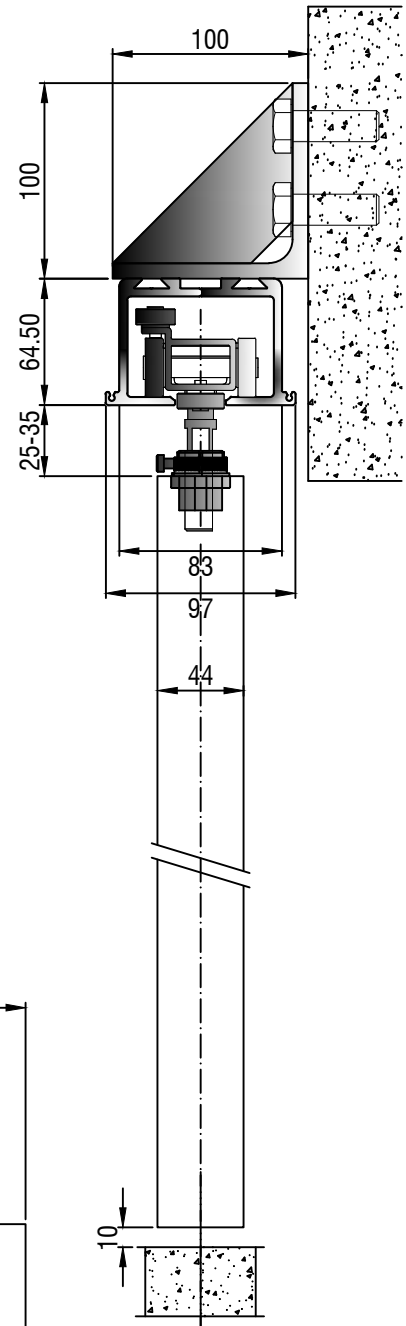


STA500 HANGER



STACKAWAY TOP FIXING HANGER

SIDE FIX STA500 TRACK WITH STA500 BRACKET AND STACKAWAY HANGER WITH TIMBER DOOR



SOFFIT FIX STA500 TRACK WITH TOP SUSPENSION BRACKET AND STACKAWAY HANGER WITH ALUMINIUM DOOR

