

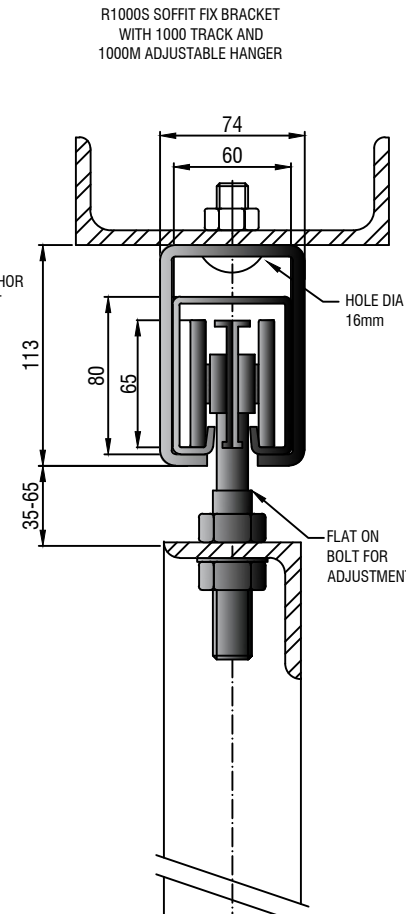
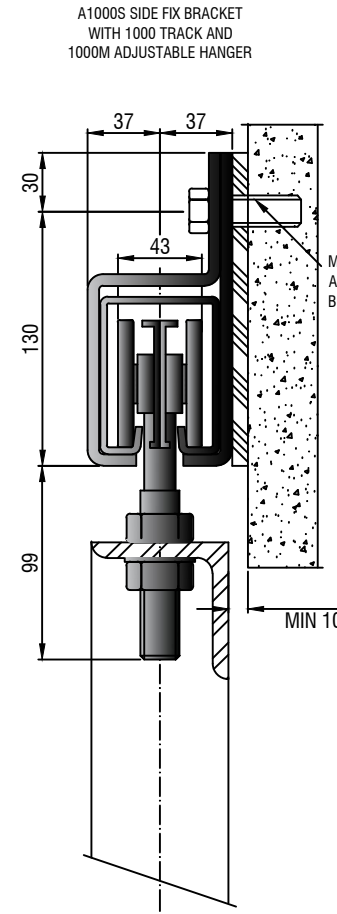
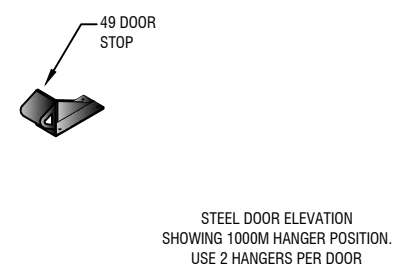
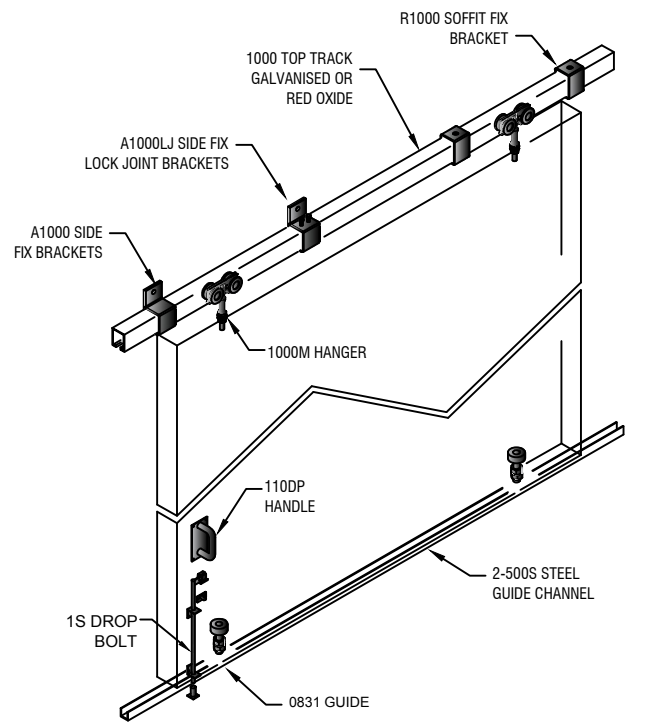
STRAIGHTAWAY 1000S

Top hung sliding hardware for internal steel doors up to 1000kg

- FEATURES:**
- Quality ball-bearing hangers
 - Primed or galvanised track

SPECIFICATIONS:
 Max door mass: 1000kg
 Max door height: 5000mm
 Max door width: 4000mm
 Door thickness: Min 65mm
 FOR EXPOSED DOORS, CONSIDER WIND PRESSURE.
 Max door surface area: 20 sq.m.

- COMPONENTS**
 A1000 Side fixing or R1000 Top fixing brackets - max 900mm centres
 1000RO Steel or 1000G Galvanised top track
 1000M Adjustable hangers
 0831 Guides
 2-500S Steel guide channel
 49 Door stop
 1S Drop bolt
 91 Bow handle



TRACK BRACKETS

