

BARNSLIDE 300

Top hung sliding hardware for industrial doors and sheds up to 300kg

FEATURES:

- Reliable ball-bearing hangers
- Easy installation

SPECIFICATIONS:

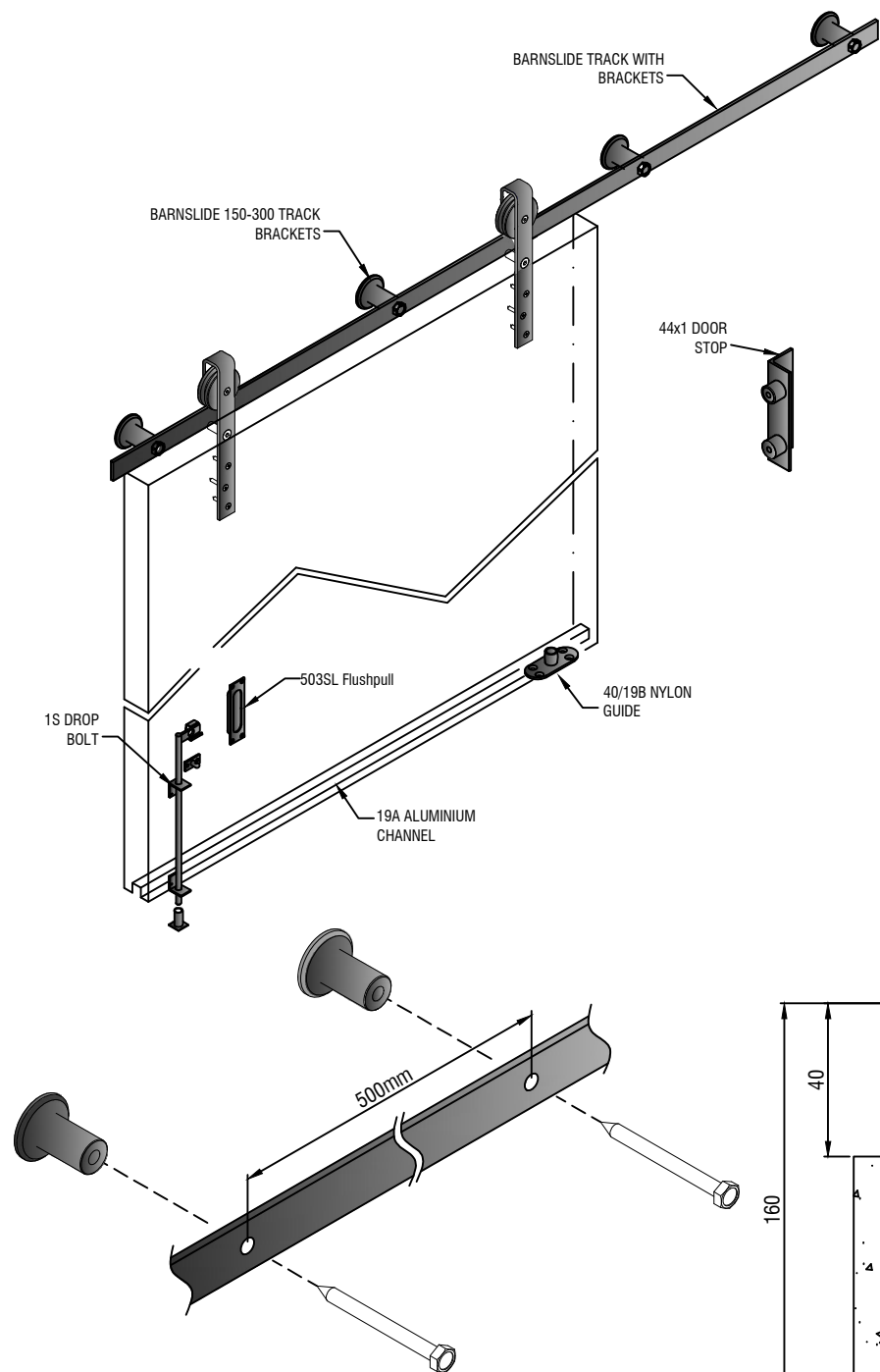
Max door mass: 300kg
 Max door height: 3000mm
 Max door width: 2500mm
 Door construction: Steel framed or timber - min 44mm thick
 For external applications, wind pressure must be taken into account when calculating maximum door mass.

COMPONENTS

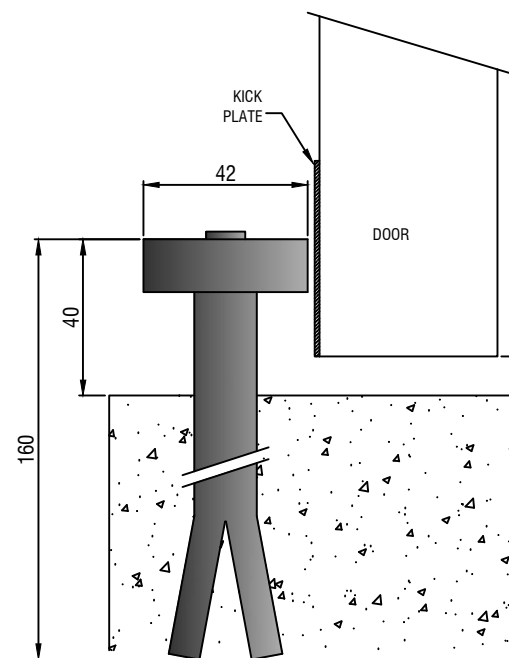
BARNSLIDE 150 bar track with brackets (500mm centres)
 BARNSLIDE 300 hangers
 65 Stay roller (steel/nylon)
 503SL Flushpull
 1S Drop bolt
 40/19N Guide
 19A Aluminium channel
 965 Mortice Claw Lock (Timber)

NOTE:

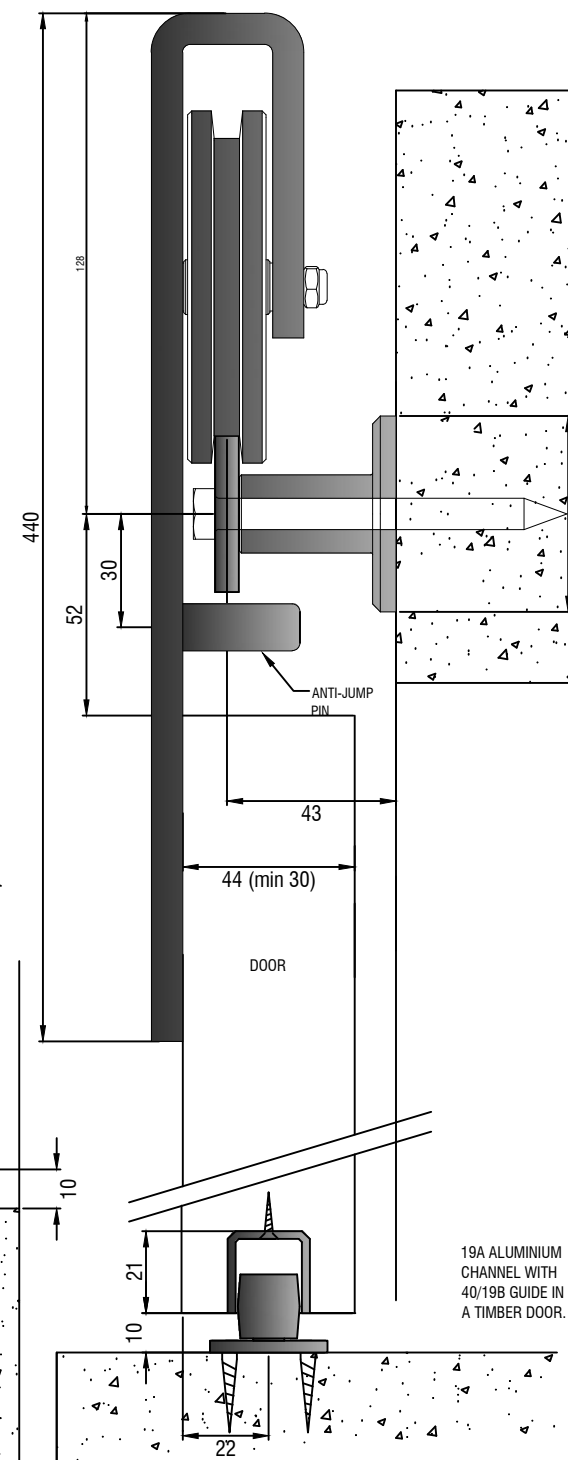
All fittings available in stainless steel for coastal applications.



DETAIL OF BRACKET AND BAR TRACK.
 MAX RECOMMENDED SPACING OF 500MM



ALTERNATE GUIDE OPTION
 SHOWING 65 STAY ROLLER



SECTION THROUGH DOOR SHOWING
 40mm BAR TRACK WITH BRACKETS AND BARNSLIDE HANGER.

Hillaldam Coburn Systems (Pty) Ltd.
 P O Box 4664, Johannesburg 2000,
 South Africa
 Tel: (+2711) 626 1001
 Fax: (+2711) 626 1341
 Email: info@hillaldam.co.za
 Web: www.hillaldam.co.za