

Eclipse Shower System

PRODUCT FEATURES

- Reliable ball bearing hangers
- Easy Installation
- Atheistically Pleasing design

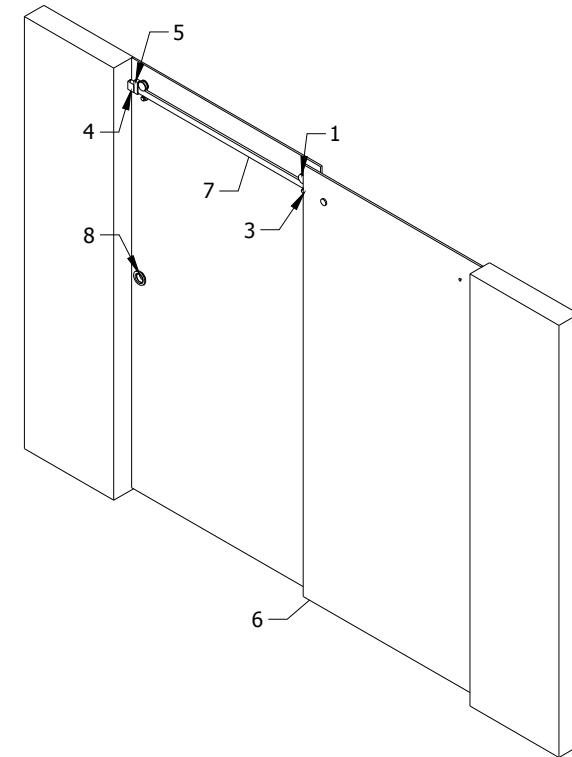
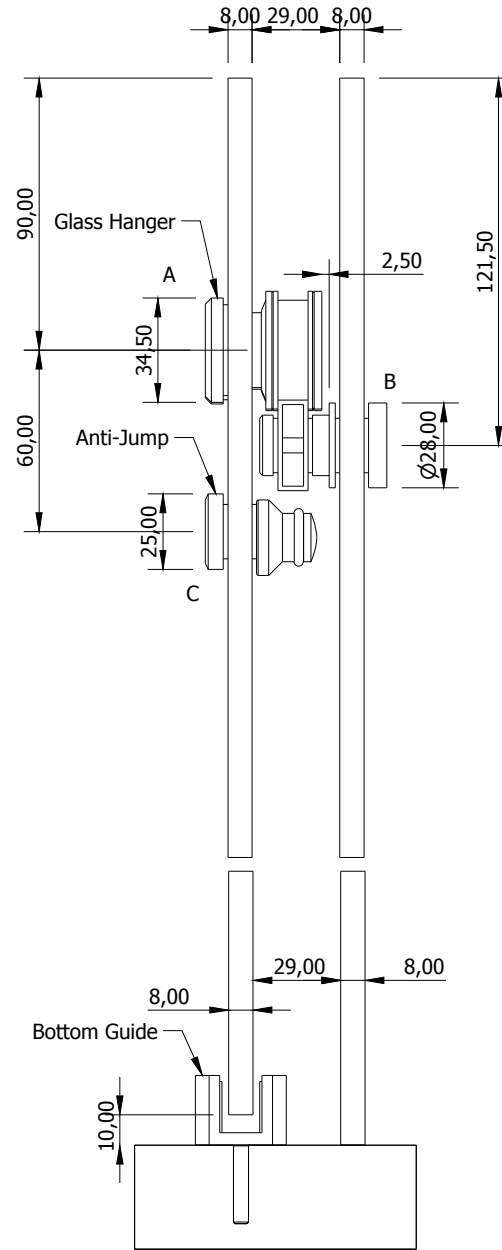
PRODUCT SPECIFICATION


- Max door mass: 70Kg
- Max door width: 1000mm
- Max door height: 2100mm
- Glass thickness: 8mm

PRODUCT COMPONENTS

- Glass Hanger
- Glass to Rail brackets
- BG15 Guides
- Anti-Jump
- Rail to wall connector
- 30x10 Rectangular hollow section
- CFH65 Flushpull Handle
- Stopper
- Track to track corner connector
- 90deg return Panel Fitting

For More information on this system see the installation instructions or contact Hillaldam



Drawn by: Marc Macleod	Date 2016/11/23	Approved by	Date	Rev.	Details	Date
 Hillaldam SLIDING DOOR SYSTEMS P.O. BOX 4664, JOHANNESBURG 2000 E-mail: info@hillaldam.co.za			Dwg Description:		Edition	
Part/Dwg Number:			Edition		Sheet	
					10 / 22	