

PRODUCT FEATURES

- Easy Installation
- Pre-drilled track
- Cost effective frameless Solution

Specifications

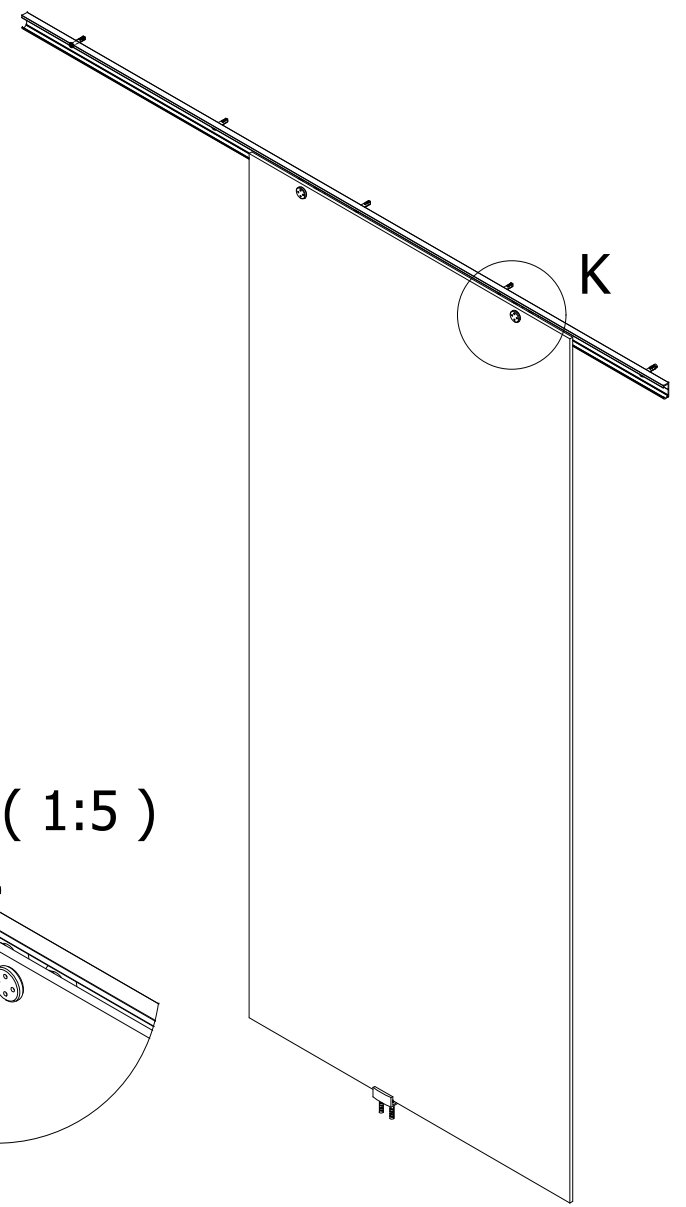
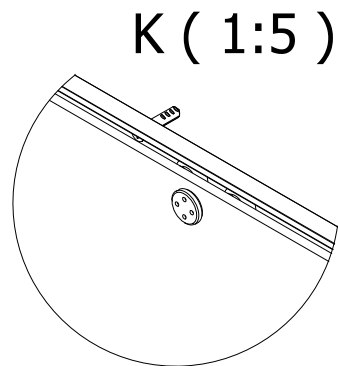
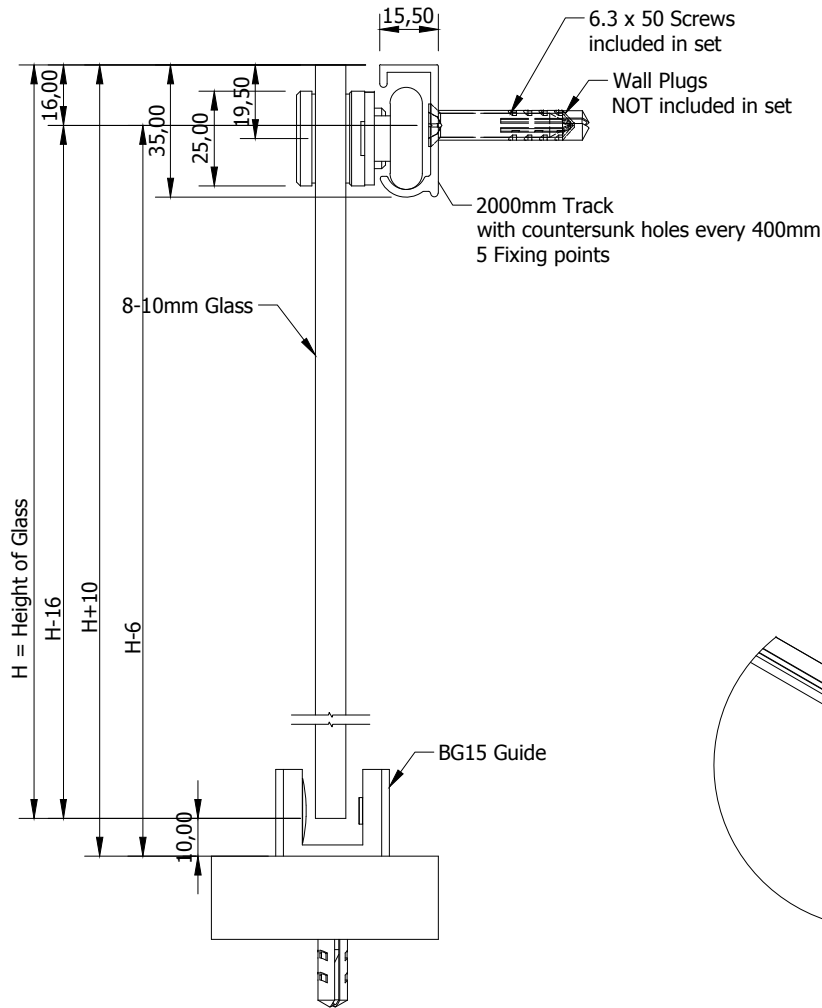
Max Weight - 50kg
 Max Width - 900mm
 Max Height - 2100mm
 Glass Thickness - 8-10mm


Components

- GA50 Pre-Drilled Track - 2m
- GA50 End Stop
- BG15 Guide - SS
- GA50 Glass Hanger
- CFH65 Flushpull handle
- All Relevant Fixings for Track and Guides

Please see Installation instructions for More information

Contact Hillaldam if you have any questions



Drawn by: Marc Macleod	Date 2018/12/06	Approved by	Date	Rev.	Details	Date	
 Hillaldam SLIDING DOOR SYSTEMS P.O. BOX 4664, JOHANNESBURG 2000 E-mail: info@hillaldam.co.za			Dwg Description.: GA50		Part/Dwg Number:	Edition	Sheet 4 / 12
P.O. BOX 4664, JOHANNESBURG 2000 E-mail: info@hillaldam.co.za		TEL: (+2711) 628 1001 FAX: (+2711) 628 1341					