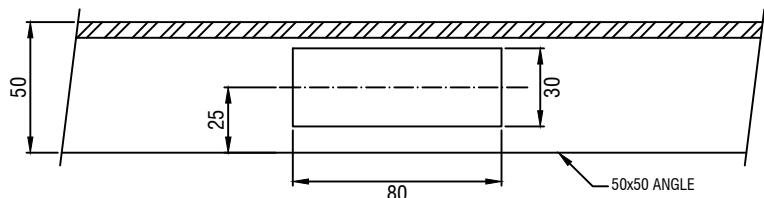
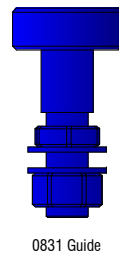


826 BOTTOM ROLLER
(TIMBER DOOR BOTTOM ROLLER ALSO AVAILABLE)

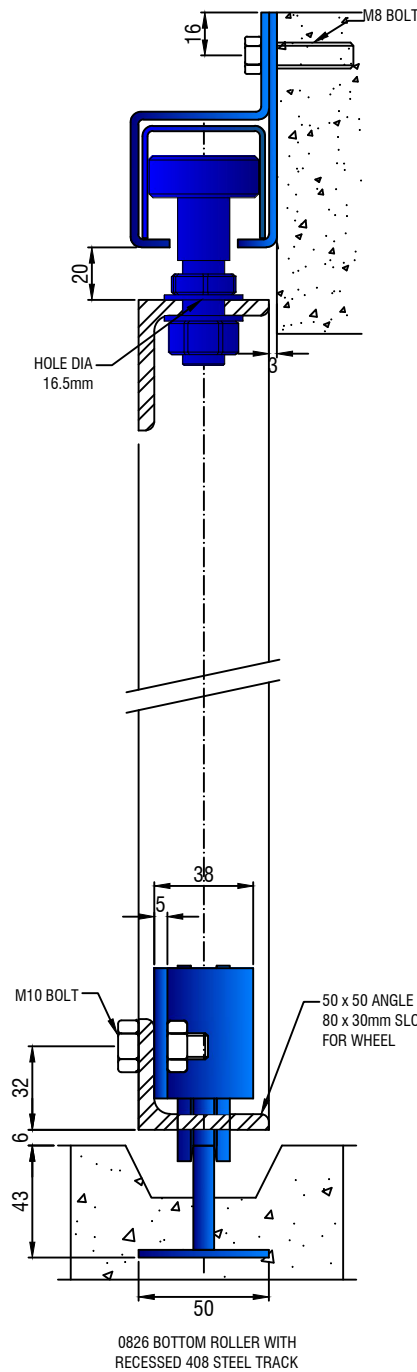


0826 BOTTOM ROLLER CUT OUT DETAIL



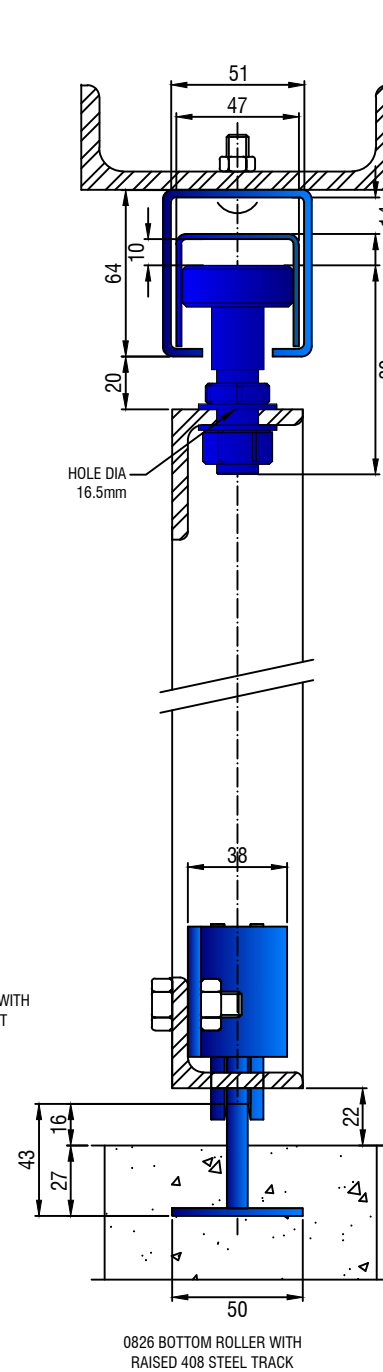
0831 Guide

SECTION THROUGH DOOR SHOWING
2-500S STEEL CHANNEL WITH A810
SIDE FIX BRACKET WITH 0831 GUIDE



0826 BOTTOM ROLLER WITH
RECESSED 408 STEEL TRACK

SECTION THROUGH DOOR SHOWING
2-500S STEEL CHANNEL WITH
0831 GUIDE



0826 BOTTOM ROLLER WITH
RAISED 408 STEEL TRACK

SECTION THROUGH DOOR SHOWING
SCALE 1:3

Bottom rolling sliding hardware for steel framed doors up to 250kg.

FEATURES:

- Quality ball-bearing rollers
- Flat groove rollers for strength

SPECIFICATIONS:

Max door mass: 250kg
Max door height: 3500mm
Max door width: 2000mm
Door thickness: Min 50mm
FOR EXPOSED DOORS,
CONSIDER WIND PRESSURE.
Max door surface area: 7 sq.m.

COMPONENTS

- A810/R810 Brackets - max 900m centres
- 2-500S Steel guide channel
- 0831 Top guides
- 826 Bottom rollers
- 408 Steel bottom track
- 44 x 1 Door Stop
- 91 Bow handle
- 1S drop bolt