

Bottom rolling sliding door hardware
for external timber doors up to 400kg.

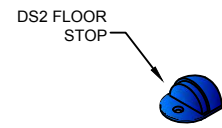
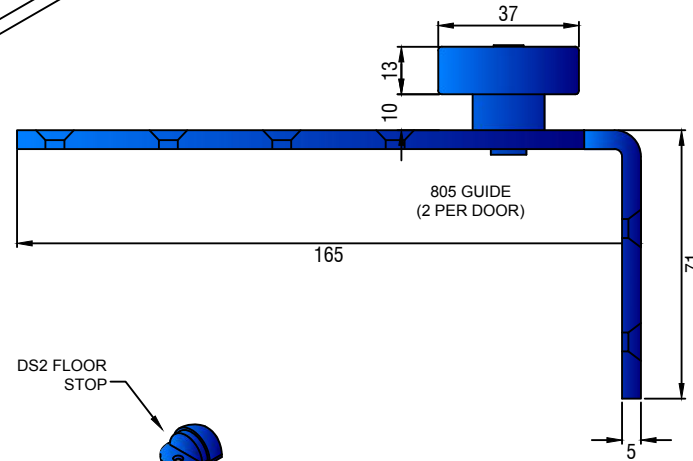
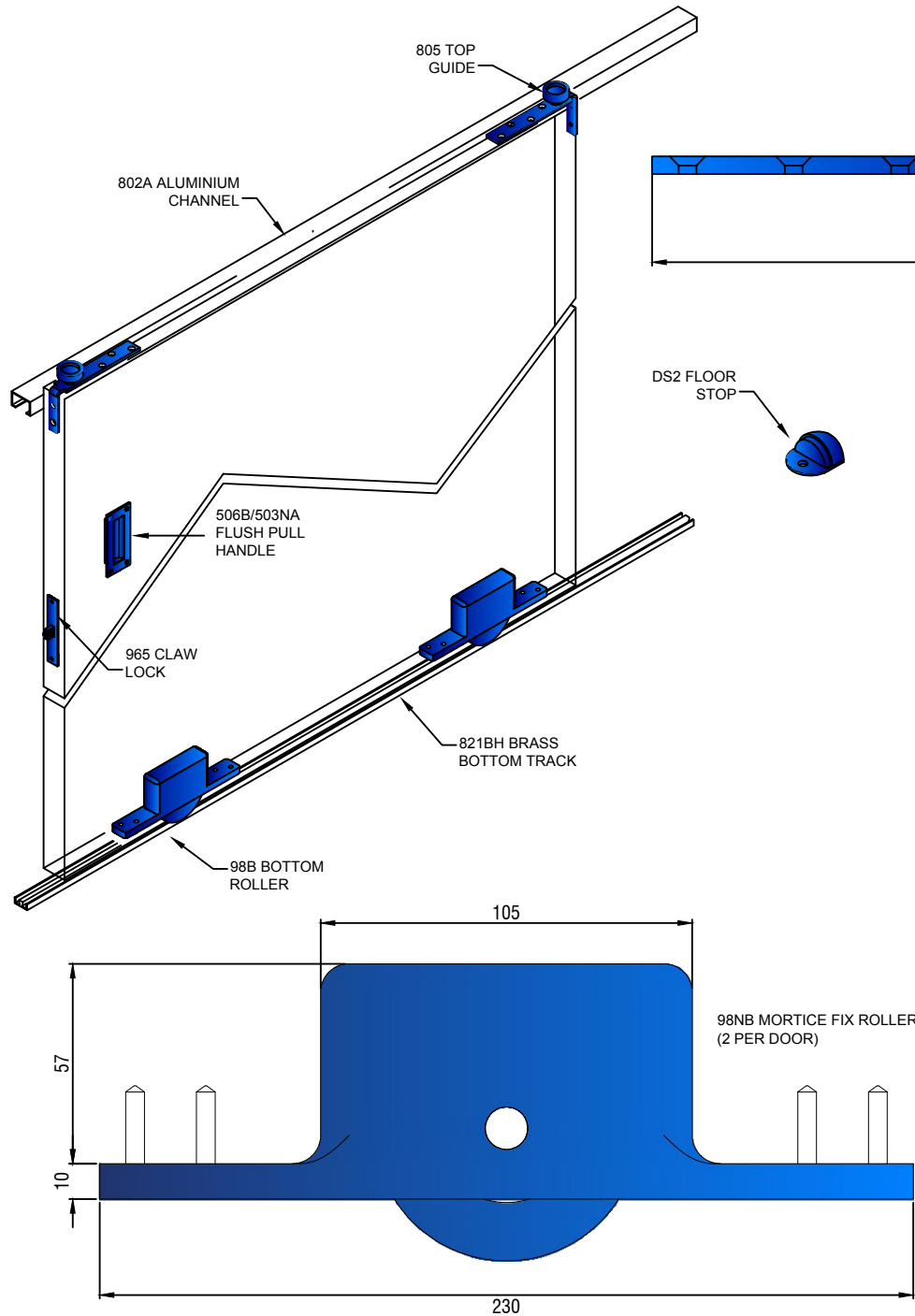
- FEATURES:
- Quality ball-bearing rollers
 - Flat track tread for strength

SPECIFICATIONS:

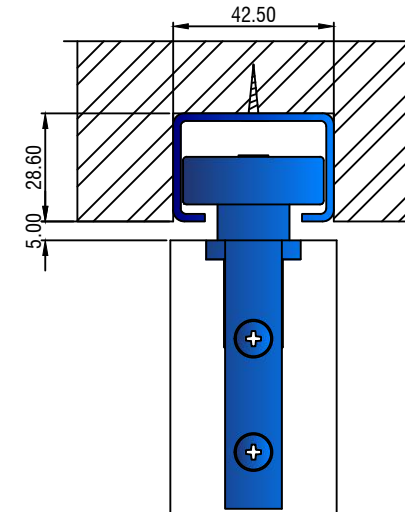
Max door mass: 400kg
Max door height: 3500mm
Max door width: 2000mm
Door thickness: 44-60mm

COMPONENTS:

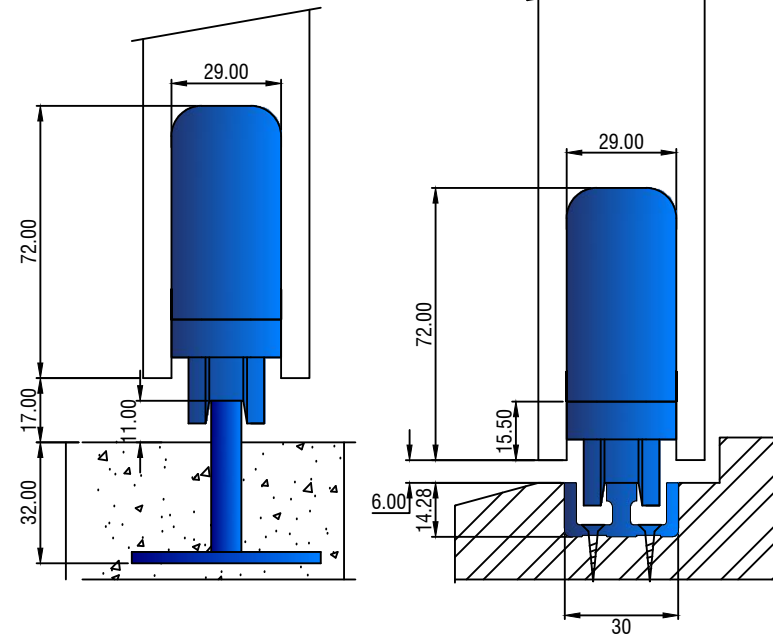
802A Aluminium channel
805/805DR Top guide
98B Bottom brass roller or
98S Steel roller
821BH Brass bottom track or
408S Steel bottom track
506B or 503NA Flush handle
965 Mortice claw lock



SECTION THROUGH DOOR SHOWING
802A CHANNEL WITH 805 MOD GUIDE
AND 821BH BRASS TRACK AND 98NB
BOTTOM ROLLER



SECTION THROUGH DOOR
SHOWING 408S STEEL TRACK
AND 98S BOTTOM ROLLER



ALTERNATE CILL DETAILS
SCALE 1:2