

Bottom rolling sliding hardware for steel framed doors up to 500kg.

FEATURES:

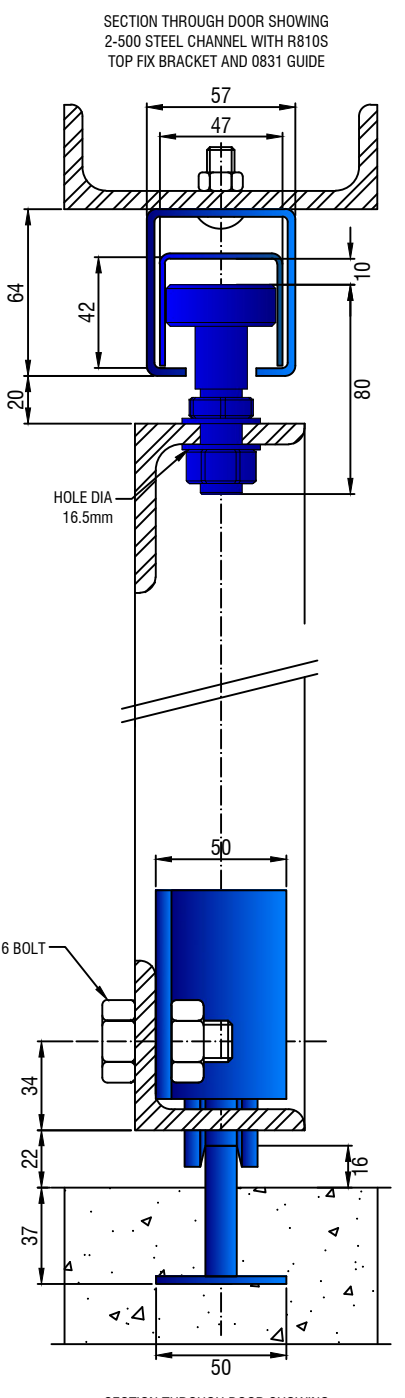
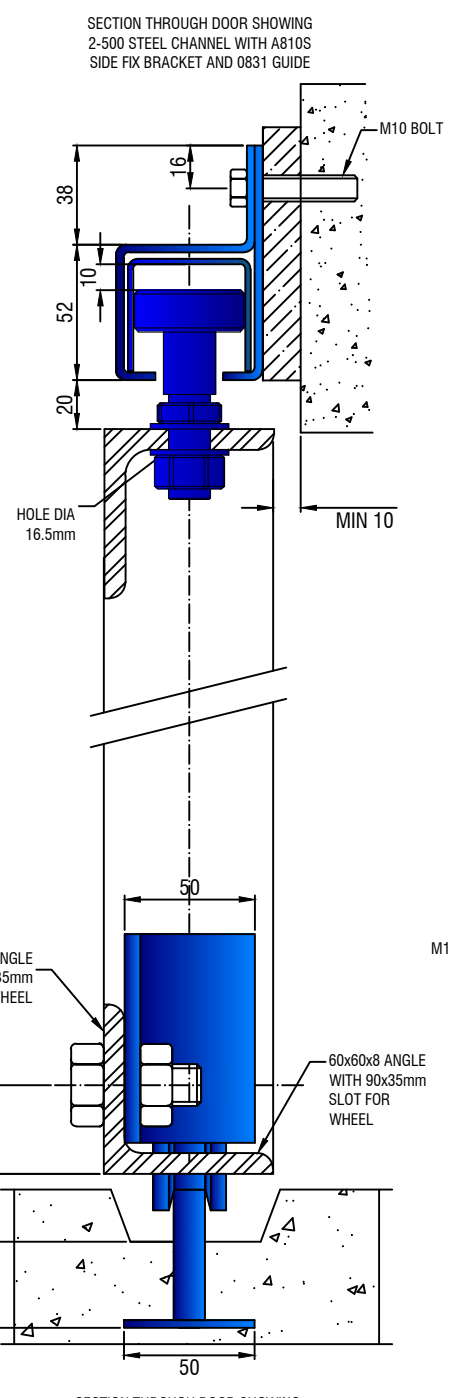
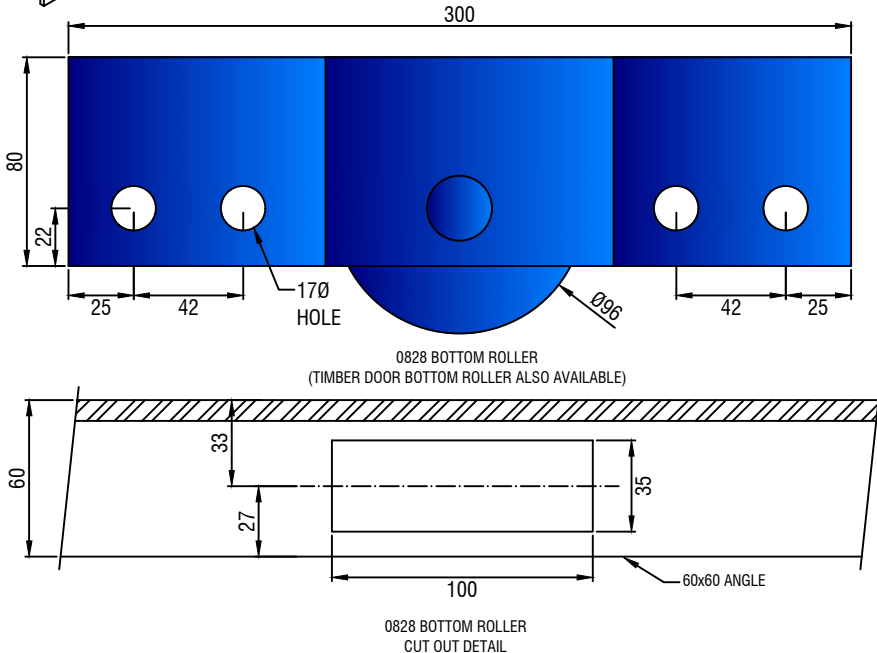
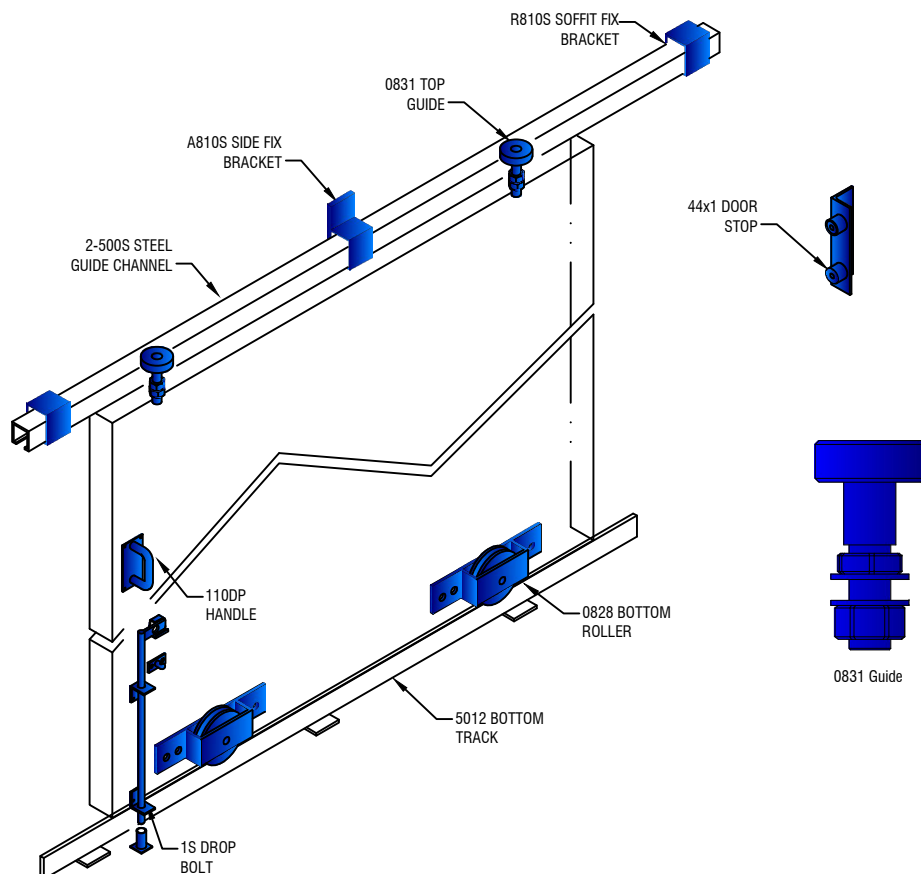
- Quality ball-bearing rollers
- Flat groove rollers for strength

SPECIFICATIONS:

Max door mass: 500kg
Max door height: 4000mm
Max door width: 3000mm
Door thickness: 50-65mm
FOR EXPOSED DOORS,
CONSIDER WIND PRESSURE.
Max door area: 12 sq.m.

COMPONENTS

A810S Side fix or
R810 Top fix brackets - max 900m
centres
2-500S Steel guide channel
0831 Top guides
0828 Bottom rollers
5012 Steel bottom track
44 x 1 Door Stop
91 Bow handle
1S drop bolt



SECTION SCALE 1:3