

**BARNSLIDE 100T**

Top hung sliding hardware for timber doors and sheds up to 100kg

**FEATURES:**

- Reliable ball-bearing hangers
- Easy installation

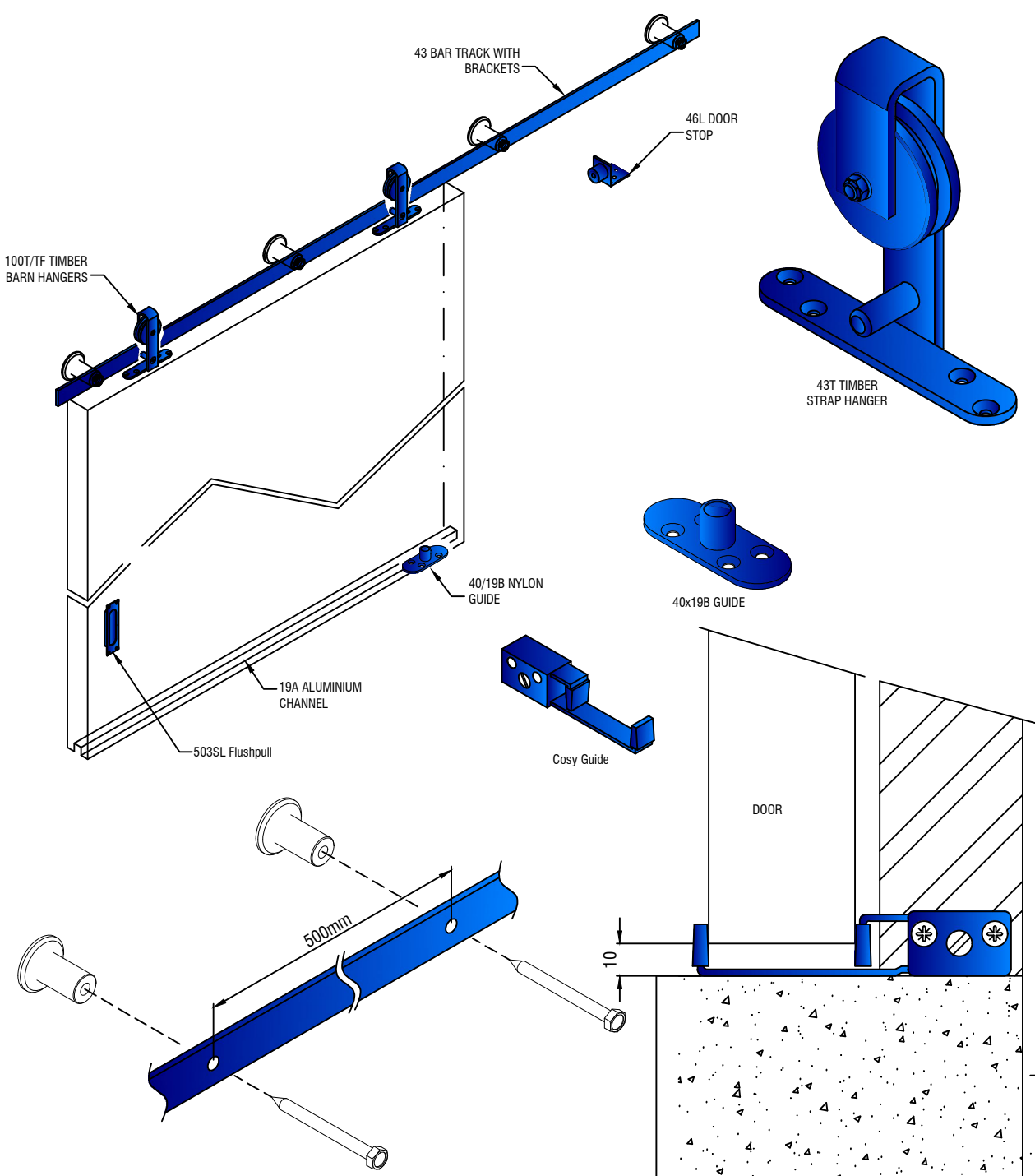
**SPECIFICATIONS:**

Max door mass: 100kg  
 Max door height: 2400mm  
 Max door width: 1200mm  
 Door construction: Timber framed min 30mm thick  
 For external applications, wind pressure must be taken into account when calculating maximum door mass.

**COMPONENTS**

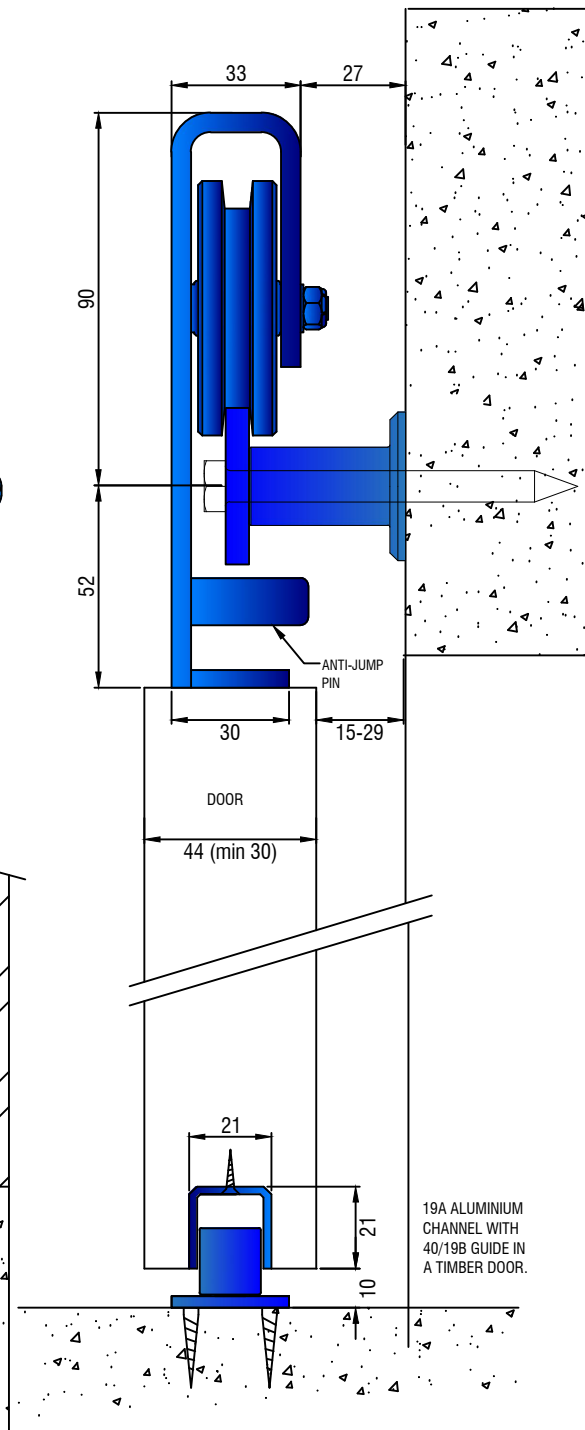
30mm Steel bar track with brackets (500mm centres)  
 100T/TF BARNSLIDE hangers  
 COSY guide  
 40/19N Guide  
 19A Aluminium channel  
 503SL Flushpull handles

**NOTE:**  
 All fittings available in stainless steel for coastal applications.



DETAIL OF BRACKET AND BAR TRACK.  
 MAX RECOMMENDED SPACING OF 500MM

ALTERNATE GUIDE OPTION  
 SHOWING COSY GUIDE



SECTION THROUGH DOOR SHOWING  
 43 BAR TRACK WITH BRACKETS AND 43T TIMBER STRAP HANGER.  
 SCALE 1:2