

Top hung sliding hardware for interior doors. Ideal for semi-solid, solid and glazed doors up to 90kg.

FEATURES:

- Heavy duty ball-bearing sliding system
- Concealed guiding
- Lateral & vertical adjustment

SPECIFICATIONS:

Specifications
Max door mass: 90kg
Max door height: 2100mm
Max door width: 1500mm
Door thickness: 44mm

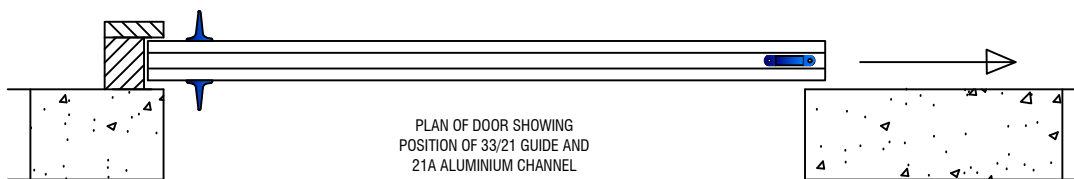
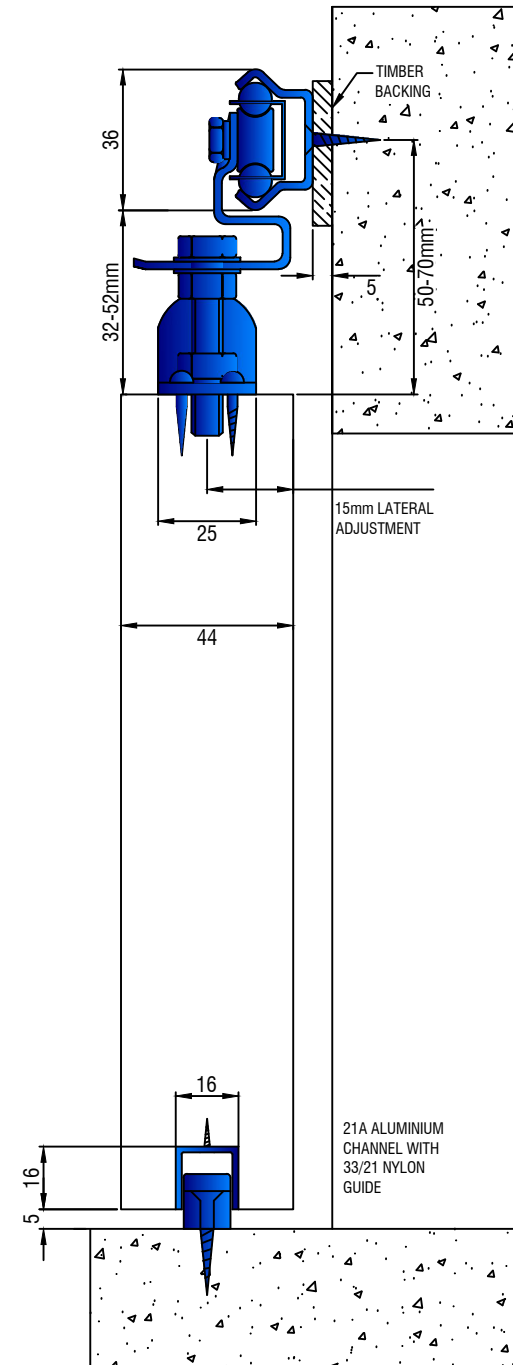
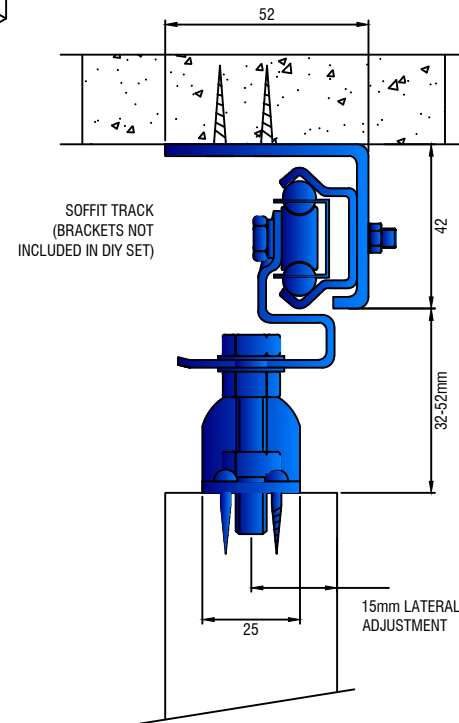
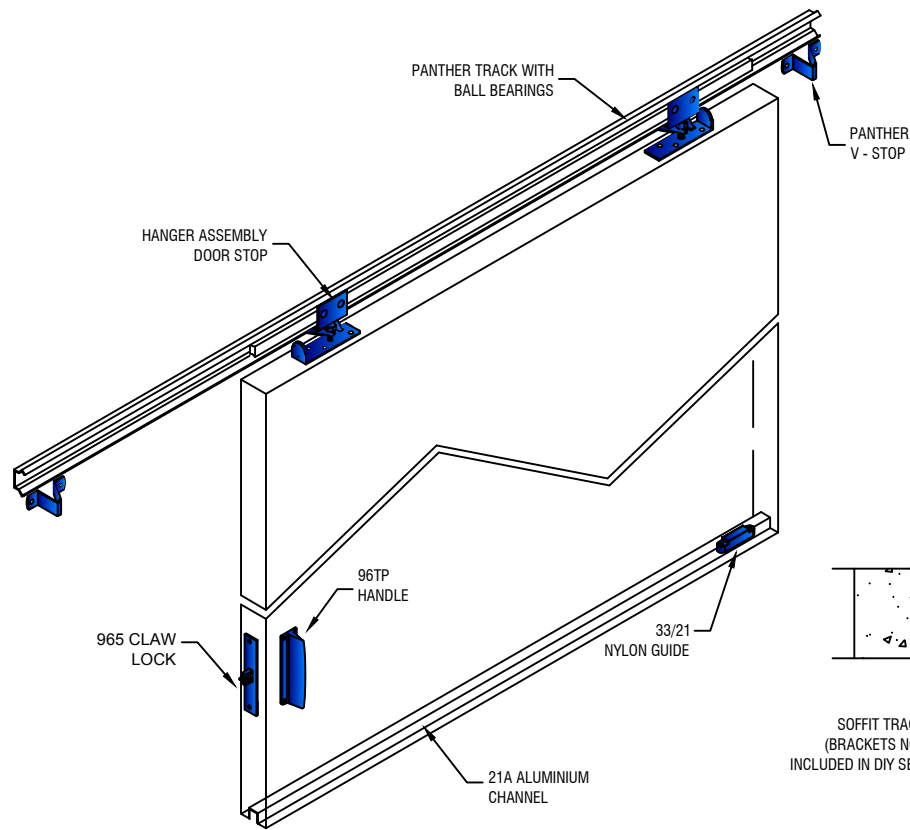
COMPONENTS:

Panther aluminium top track assembly
Hanger assembly with V-stops
21A Aluminium channel
Available in 1.5m, 1.8m, 2.1m, 2.4m, 3.0m

100A End Caps*
965 Claw lock*
* not included in DIY set

Standard packed sets:
P2 - for door 600-750mm wide
P3 - for door 750-900mm wide
P4 - for door 900-1050mm wide
P5 - for door 1050-1200mm wide
P10 - for door 1200-1500mm wide

Hillaldam Coburn Systems (Pty) Ltd.
P O Box 477, Johannesburg 2000,
South Africa
Tel: (+2711) 626 1001
Fax: (+2711) 626 1341
Email: info@hillaldam.co.za
Web: www.hillaldam.com



SECTION THROUGH DOOR
SCALE 1:2

PLAN OF DOOR SHOWING
POSITION OF 33/21 GUIDE AND
21A ALUMINIUM CHANNEL